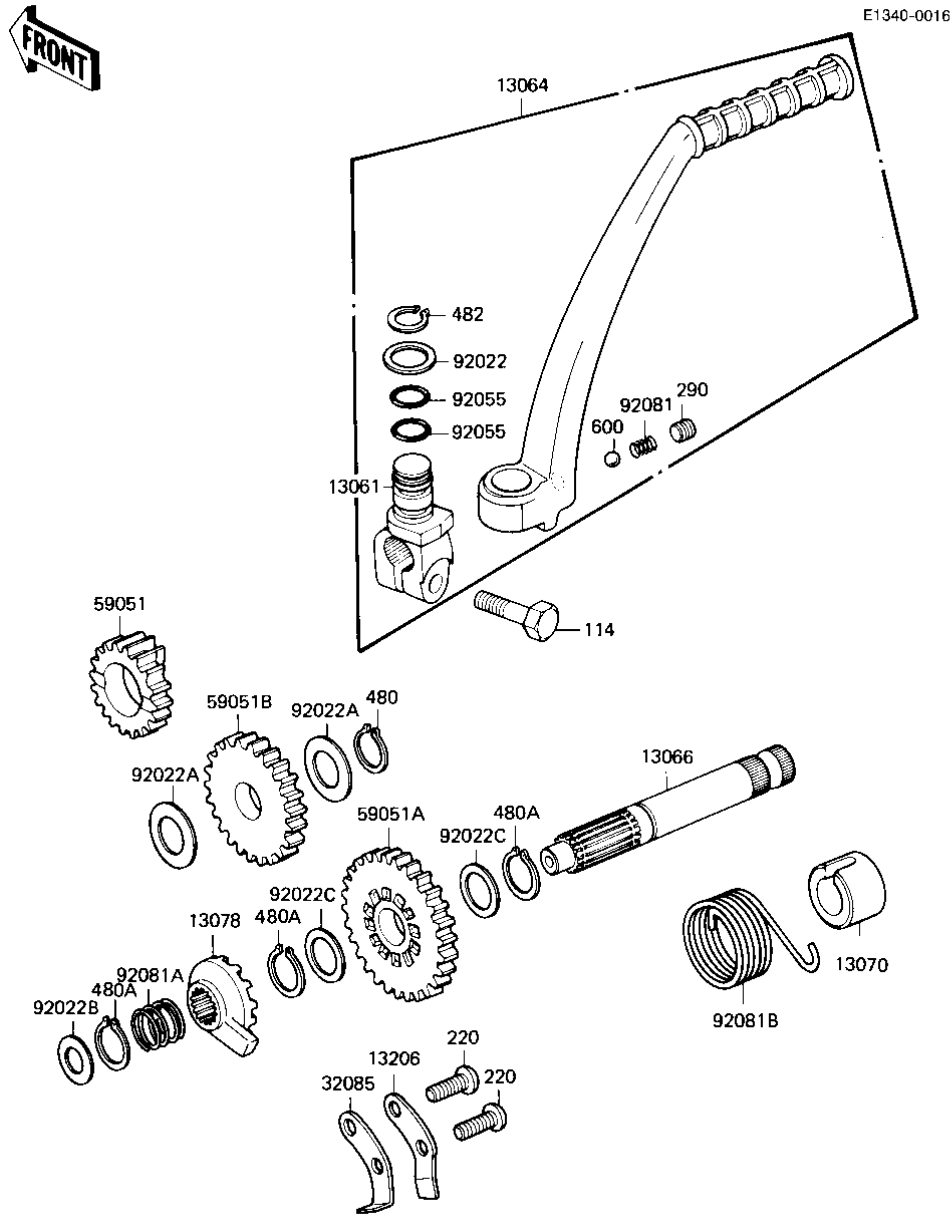


# 1982 KE175 PARTS DIAGRAM

KICKSTARTER MECHANISM ('82-'83 KE175-D4/



# 1982 KE175 PARTS LIST

KICKSTARTER MECHANISM ('82-'83 KE175-D4/

ITEM NAME	PART NUMBER	QUANTITY
BOSS,KICK PEDAL (Ref # 13061)	13061-1045	1
PEDAL ASSY,KICK (Ref # 13064)	13064-1027	1
SHAFT,KICK (Ref # 13066)	13066-1006	1
GUIDE,KICK SPRING (Ref # 13070)	13070-1007	1
RATCHET (Ref # 13078)	13078-1001	1
GUIDE,KICK (Ref # 13206)	13206-1002	1
STOPPER,KICK (Ref # 32085)	32085-1027	1
PINION-KICKSTARTER (Ref # 59051)	13075-006	1
GEAR,KICKSTARTER,34T (Ref # 59051A)	59051-1010	1
GEAR,IDLE,29T (Ref # 59051B)	59051-1019	1
WASHER,PLAIN (Ref # 92022)	92022-1019	1
WASHER-PLAIN (Ref # 92022A)	92022-169	2
WASHER,PLAIN (Ref # 92022B)	92022-269	1
WASHER,PLAIN (Ref # 92022C)	92022-315	2
"O" RING (Ref # 92055)	92055-061	2
SPRING KICK PEDAL (Ref # 92081)	92081-020	1
SPRING,RATCHET (Ref # 92081A)	92081-122	1
SPRING,KICKSTARTER (Ref # 92081B)	92082-005	1
BOLT-SMALL-UPSET 8X25 (Ref # 114)	115G0825	1
SCREW PAN HEAD 6X16 (Ref # 220)	220B0616	2
SCREW,8X8 (Ref # 290)	290Q0808	1
CIRCLIP 15MM (Ref # 480)	480J1500	1
CIRCLIP 16MM (Ref # 480A)	480J1600	3
CIR CLIP (Ref # 482)	482K0100	1
BALL STEEL 1/4' (Ref # 600)	600A0800	1