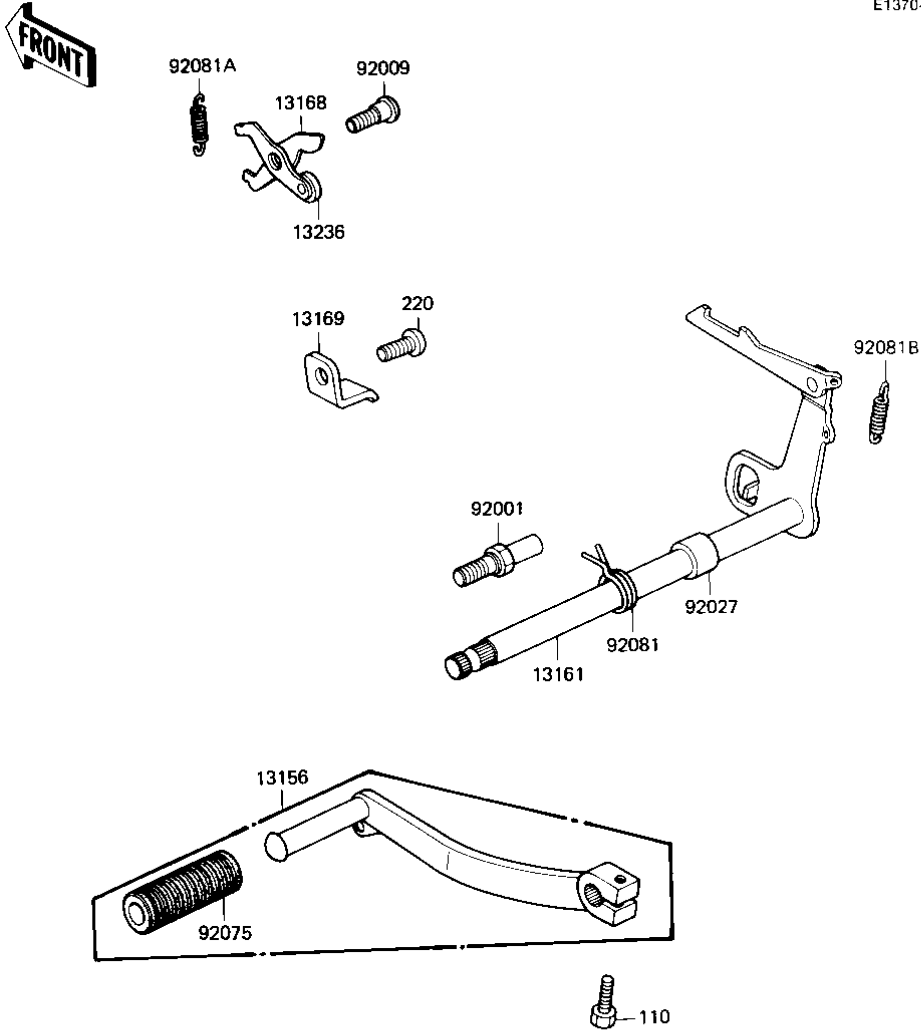


1982 KE175 PARTS DIAGRAM

GEAR CHANGE MECHANISM ('82-'83 KE175-D4/

E1370-0008



1982 KE175 PARTS LIST

GEAR CHANGE MECHANISM ('82-'83 KE175-D4/

| ITEM NAME | PART NUMBER | QUANTITY |
|-------------------------------------|-------------|----------|
| LEVER-ASSY-CHANGE,PED (Ref # 13156) | 13242-1273 | 1 |
| LEVER ASSY,GEAR CHANG (Ref # 13161) | 13161-1017 | 1 |
| LEVER,GEAR SET (Ref # 13168) | 13168-1058 | 1 |
| PLATE,GEAR CHANGE (Ref # 13169) | 13169-1253 | 1 |
| LEVER,NEUTRAL (Ref # 13236) | 13236-1004 | 1 |
| BOLT,RETURN SPRING (Ref # 92001) | 92001-1401 | 1 |
| SCREW-PAN HEAD (Ref # 92009) | 92011-023 | 1 |
| COLLAR (Ref # 92027) | 92027-189 | 1 |
| RUBBER CHANGE PEDAL (Ref # 92075) | 13157-004 | 1 |
| SPRING,TENTION (Ref # 92081) | 92081-1129 | 1 |
| SPRING,CHANGE LEVER (Ref # 92081A) | 92081-1237 | 1 |
| SPRING,GEAR CHANGE (Ref # 92081B) | 92081-156 | 1 |
| BOLT-UPSET,6X20 (Ref # 110) | 112G0620 | 1 |
| SCREW PAN HEAD 6X12 (Ref # 220) | 220B0612 | 1 |