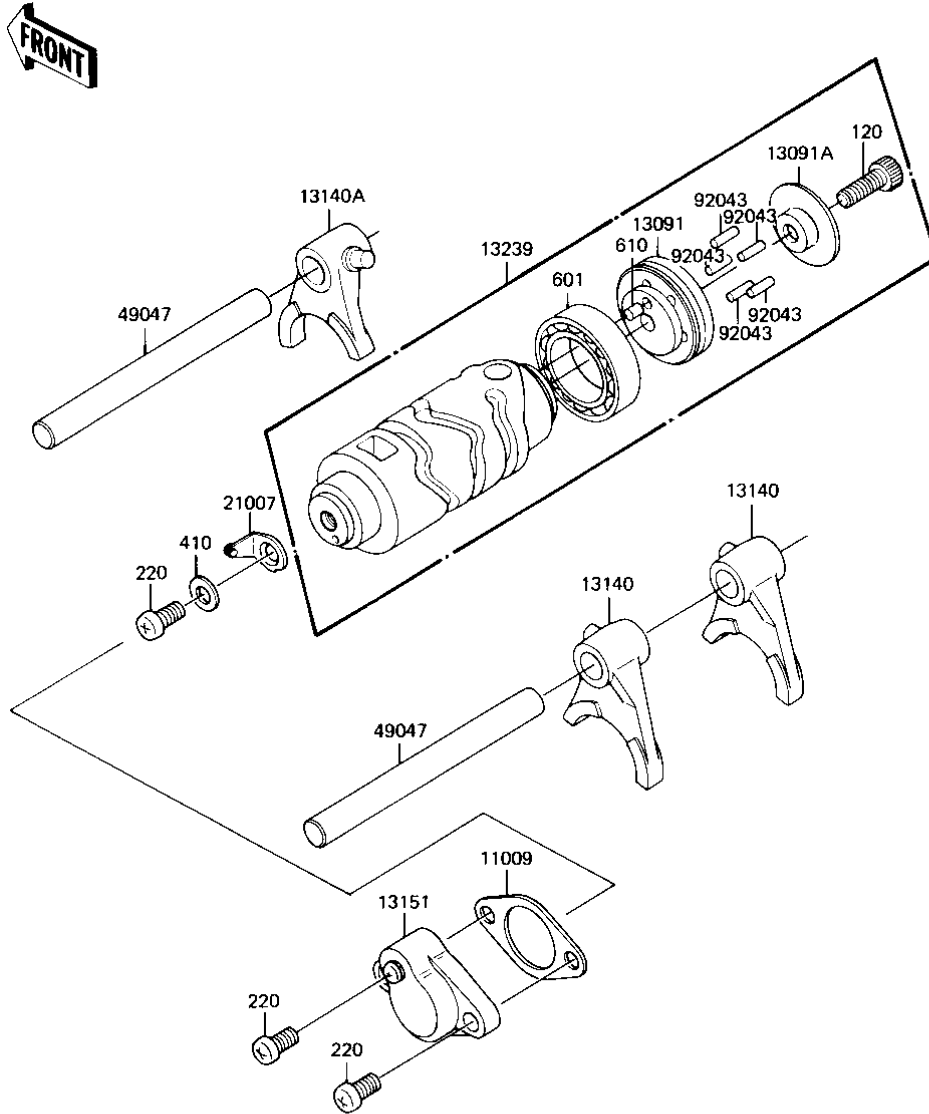


# 1982 KE175 PARTS DIAGRAM

GEAR CHANGE DRUM & FORKS ('82-'83 KE175-

E1362-0007



## 1982 KE175 PARTS LIST

GEAR CHANGE DRUM & FORKS ('82-'83 KE175-

ITEM NAME	PART NUMBER	QUANTITY
GASKET NEUTRAL SWITCH (Ref # 11009)	13146-002	1
HOLDER,DRUM PIN (Ref # 13091)	13091-1082	1
HOLDER,CHANGE DRUM (Ref # 13091A)	13142-014	1
FORK,SHIFT,LOW,2ND,3R (Ref # 13140)	13140-1013	2
FORK,SHIFT 4TH&TOP (Ref # 13140A)	13140-1014	1
SWITCH,NEUTRAL (Ref # 13151)	13151-1001	1
DRUM ASSY,GEAR CHANGE (Ref # 13239)	13239-1039	1
ROTOR,NEUTRAL INDICTR (Ref # 21007)	21007-1003	1
ROD-SHIFT,10X102 (Ref # 49047)	49047-1060	2
PIN,GEAR CHANGE DRUM (Ref # 92043)	92042-042	5
BOLT,SOCKET,6X30,BLAC (Ref # 120)	120S0630	1
SCREW PAN HEAD 6X16 (Ref # 220)	220B0616	3
WASHER PLAIN 6MM (Ref # 410)	410B0600	1
BEARING BALL #6004 (Ref # 601)	601B6004	1
PIN-DOWEL,4X6 (Ref # 610)	610A0406	1