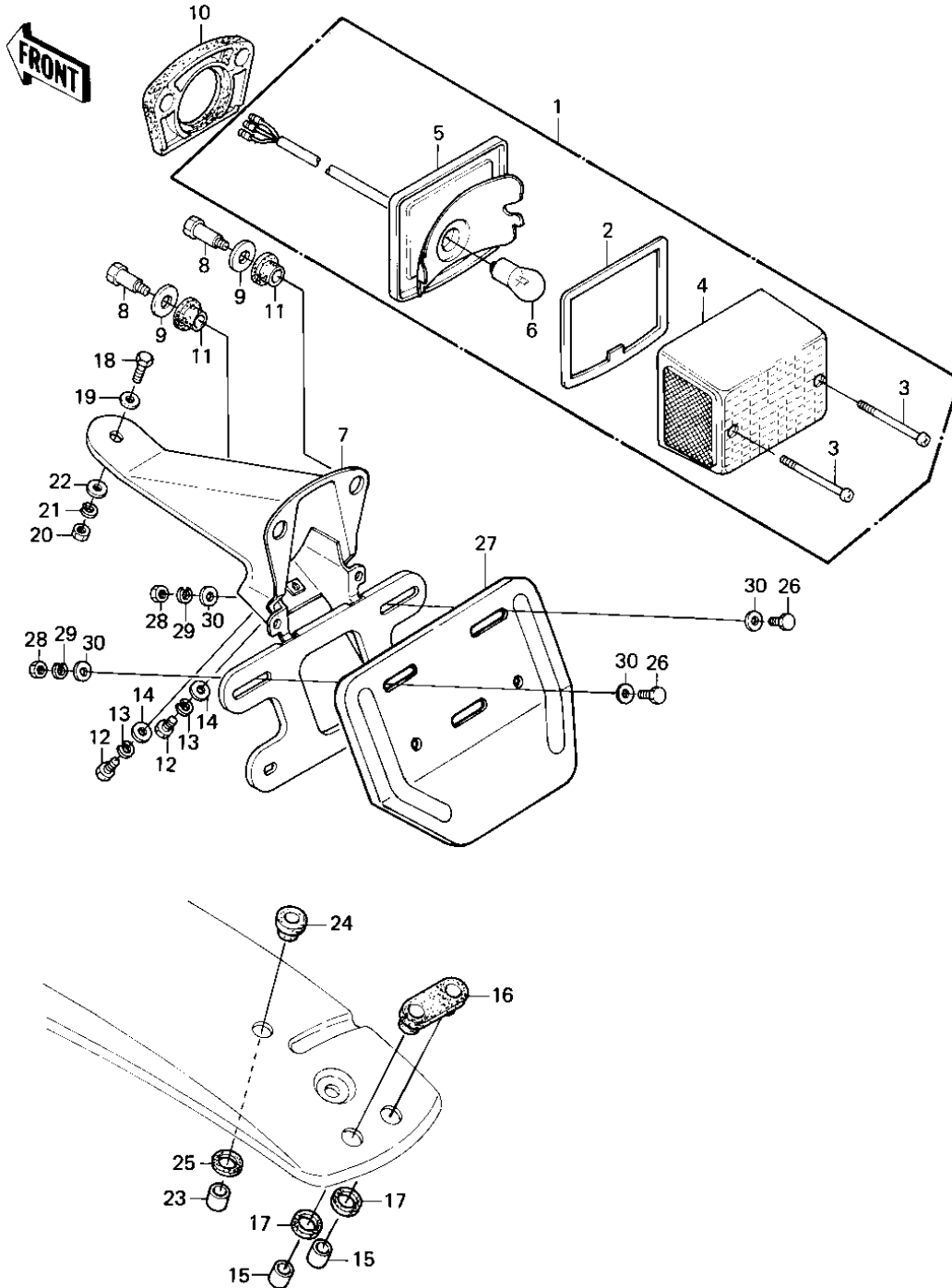


1981 KE175 PARTS DIAGRAM

TAILLIGHT ('80-'81 KE175-D2/D3)



1981 KE175 PARTS LIST

TAILLIGHT ('80-'81 KE175-D2/D3)

ITEM NAME	PART NUMBER	QUANTITY
LAMP UNIT TAIL WHN EXH USE (Ref # 1)	23025-1006	1
LAMP-TAIL (Ref # 1)	23025-1032	1
GASKET,TAIL LAMP LENS (Ref # 2)	11009-1078	1
SCREW-PAN-CROS,4X40 (Ref # 3)	220R0440	1
LENS,TAIL LAMP (Ref # 4)	23026-1003	1
CASE,TAIL LAMP (Ref # 5)	23027-1020	2
BULB,60-32/3CP (Ref # 6)	92069-074	1
BRACKET,LICENSE PLATE (Ref # 7)	23036-1010	1
BOLT,HEX HEAD (Ref # 8)	92001-1118	1
WASHER,8.5X20X1.6 (Ref # 9)	92022-1561	1
DAMPER RUBBER,TL LAMP (Ref # 10)	92075-1094	1
DAMPER RUBBER (Ref # 11)	92075-1095	1
BOLT-UPSET (Ref # 12)	112G0630	2
WASHER SPRING 6MM (Ref # 13)	461F0600	3
WASHER 6.5X20X1.6T (Ref # 14)	92022-125	3
COLLAR 6.8X10X14.5 (Ref # 15)	92027-156	1
DAMPER,TAIL LAMP (Ref # 16)	92075-1005	1
DAMPER RUBBER,SIGNAL (Ref # 17)	92075-310	2
WASHER PLAIN 6MM (Ref # 19)	411B0600	1
NUT 6MM (Ref # 20)	311B0600	2
COLLAR (Ref # 23)	92027-256	1
DAMPER,TAIL LAMP (Ref # 24)	92075-1004	1
BOLT-UPSET,6X20 (Ref # 26)	112G0620	1
BRACKET,LICENSE PLATE (Ref # 27)	11034-1117	1