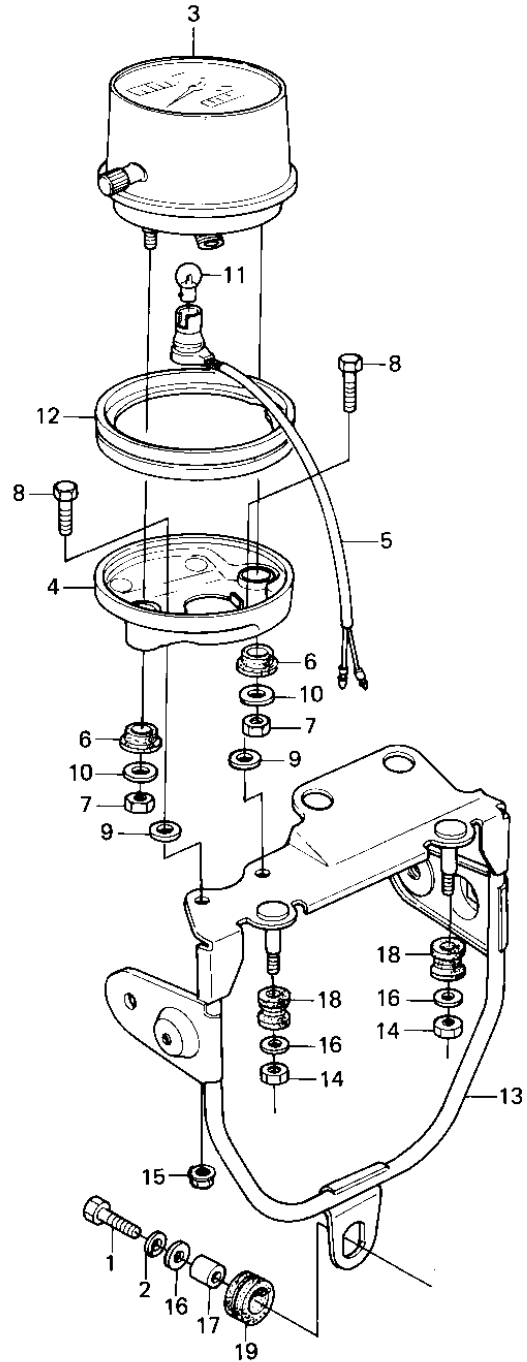


1980 KE175 PARTS DIAGRAM

METER ('80-'81 KE175-D2/D3)



1980 KE175 PARTS LIST

METER ('80-'81 KE175-D2/D3)

ITEM NAME	PART NUMBER	QUANTITY
BOLT-UPSET (Ref # 1)	112G0625	1
WASHER SPRING 6MM (Ref # 2)	461F0600	1
SPEEDOMETER,KM/H&MPH (Ref # 3)	25005-1049	1
SPEEDOMETER,KM/H (Ref # 3)	25005-1050	1
COVER,METER (Ref # 4)	14025-1075	1
SOCKET ASSY,SPEEDOMET (Ref # 5)	25010-021	1
DAMPER RUBBER,MET FIT (Ref # 6)	25019-023	2
NUT,5MM (Ref # 7)	311B0500	2
BOLT,HEX HEAD,6X14 (Ref # 8)	92003-204	2
WASHER,6M/M,METER (Ref # 9)	92022-1039	2
WASHER,PLAIN,6MM (Ref # 10)	92022-263	2
BULB-6V 3W (Ref # 11)	92069-053	1
DAMPER,METER (Ref # 12)	92075-1102	1
BRACKET,METER (Ref # 13)	25008-1009	1
NUT 6MM (Ref # 14)	311B0600	2
NUT-6MM (Ref # 15)	92015-1078	2
WASHER 6.5X20X1.6T (Ref # 16)	92022-125	3
COLLAR (Ref # 17)	92027-241	1
DAMPER RUBB SPEEDMETR (Ref # 18)	92075-024	2
DAMPER RUBBER,RR FENR (Ref # 19)	92075-209	1