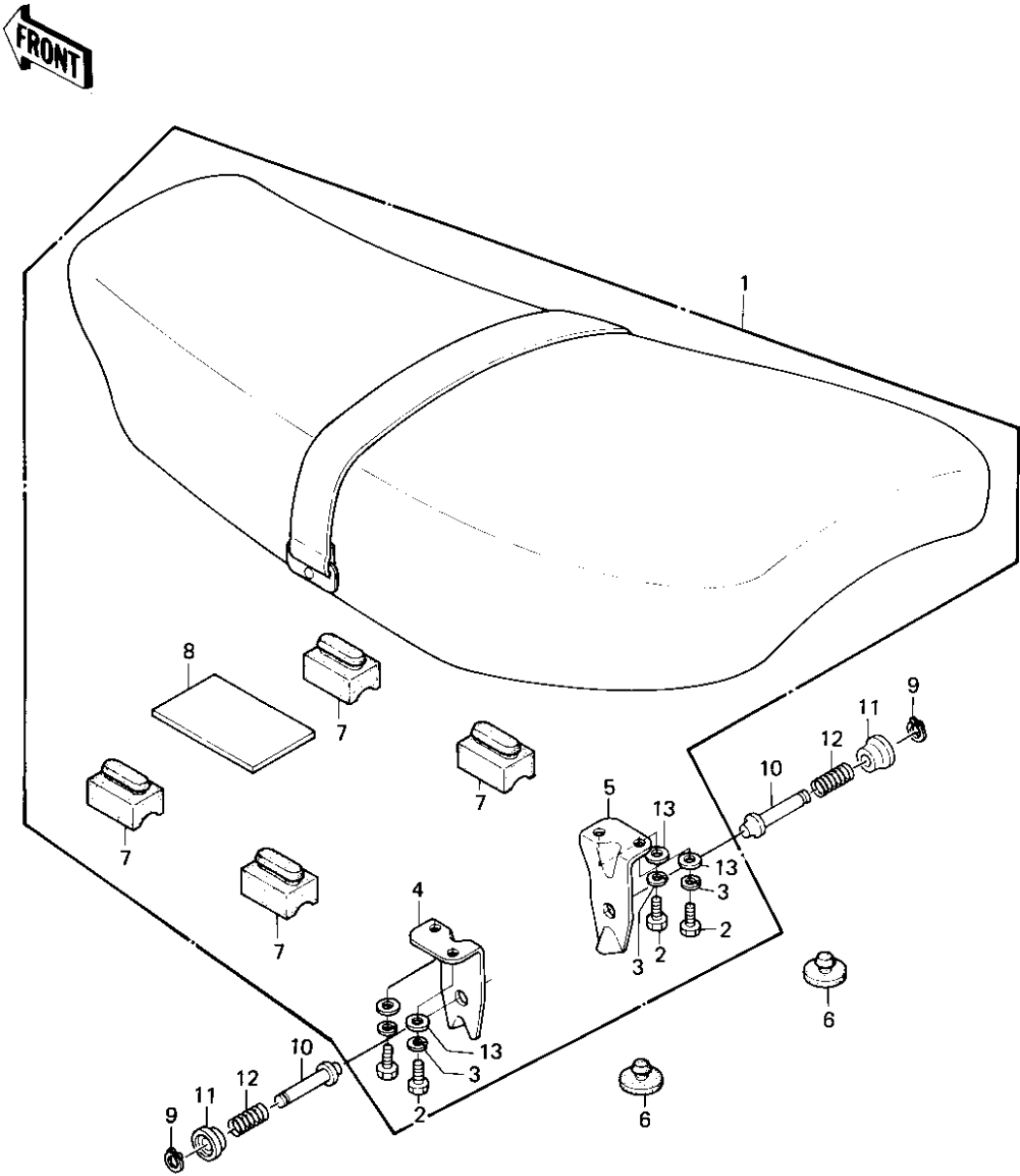


1981 KE175 PARTS DIAGRAM

SEAT ('80-'81 KE175-D2/D3)



1981 KE175 PARTS LIST

SEAT ('80-'81 KE175-D2/D3)

ITEM NAME	PART NUMBER	QUANTITY
SEAT-ASSY,W/BAND (Ref # 1)	53001-1248	1
BOLT-UPSET 6X14 (Ref # 2)	112B0614	1
WASHER SPRING 6MM (Ref # 3)	461F0600	1
BRACKET,SEAT CATCH,LH (Ref # 4)	32046-1030	1
BRACKET,SEAT CATCH,RH (Ref # 5)	32046-1031	1
DAMPER RUBBER (Ref # 6)	92075-099	1
DAMPER RUBBER,SEAT (Ref # 7)	92075-216	1
DAMPER RUBBER,BATTERY (Ref # 8)	92075-224	1
CIRCLIP,8M/M (Ref # 9)	92033-1039	1
PIN,SEAT STOPPER (Ref # 10)	92043-1036	1
KNOB,SEAT STOPPER (Ref # 11)	92077-1007	1
SPRING,SEAT STOPPER (Ref # 12)	92081-1135	1
WASHER PLAIN 6MM (Ref # 13)	411B0600	1