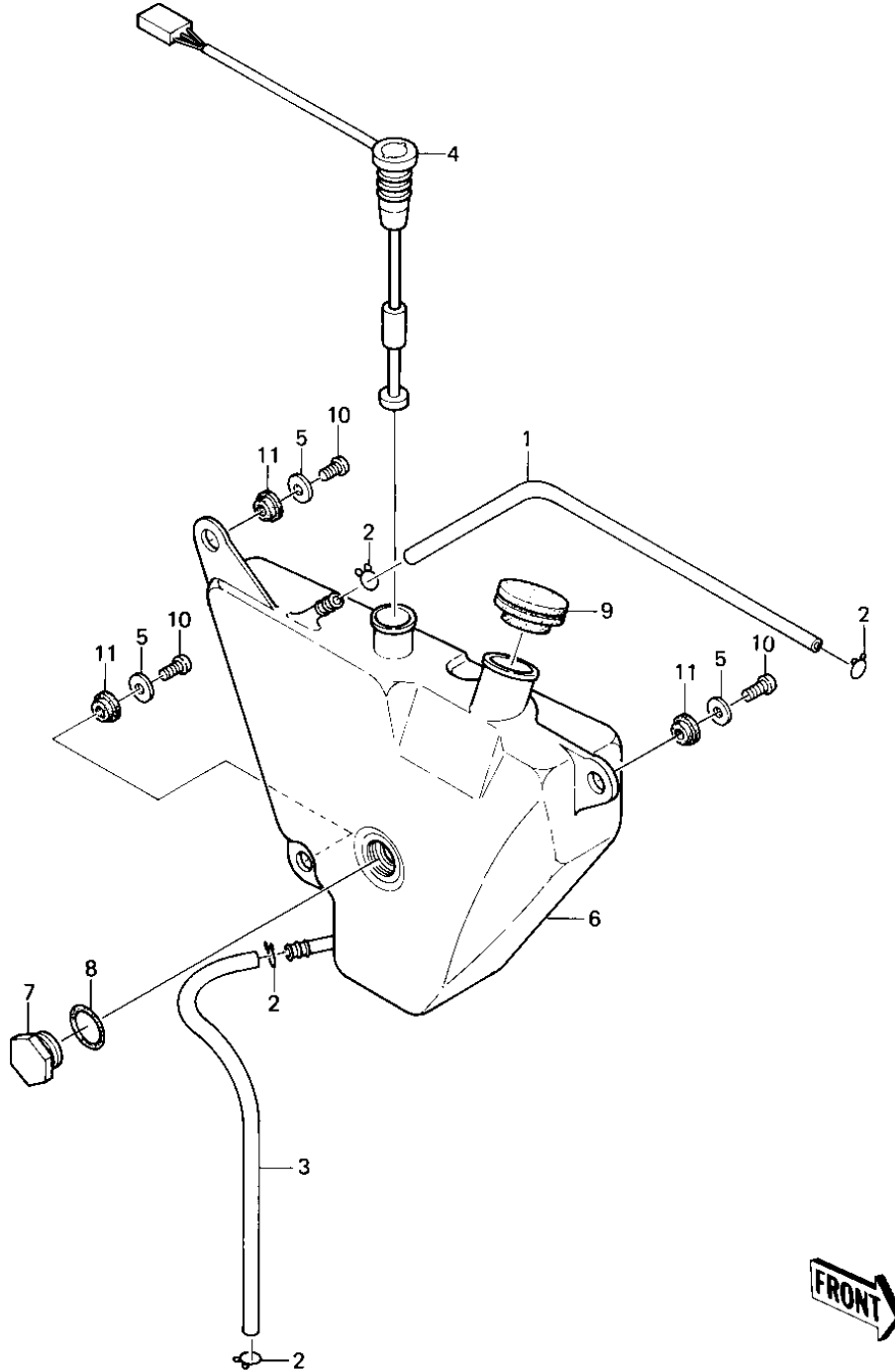


1980 KE175 PARTS DIAGRAM

OIL TANK ('80-'81 KE175-D2/D3)



1980 KE175 PARTS LIST

OIL TANK ('80-'81 KE175-D2/D3)

ITEM NAME	PART NUMBER	QUANTITY
TUBE VINYL 5X470, ACTUAL L=400MM (Ref # 1)	700Q05470	1
CLAMP FUEL PIPE (Ref # 2)	92037-010	4
TUBE,VINYL,4.5X400 (Ref # 3)	92059-107	1
SWITCH,OIL CHECK (Ref # 4)	27010-1031	1
WASHER PLAIN 8MM (Ref # 5)	410B0800	3
TANK,OIL (Ref # 6)	52001-1006	1
GUAGE-OIL LEVEL (Ref # 7)	52015-002	1
"O" RING,20MM (Ref # 8)	92055-051	1
CAP-OIL TANK (Ref # 9)	51049-1004	1
SCREW-PAN HEAD,6MM (Ref # 10)	92011-026	3
RUBBER,METER (Ref # 11)	92075-172	3