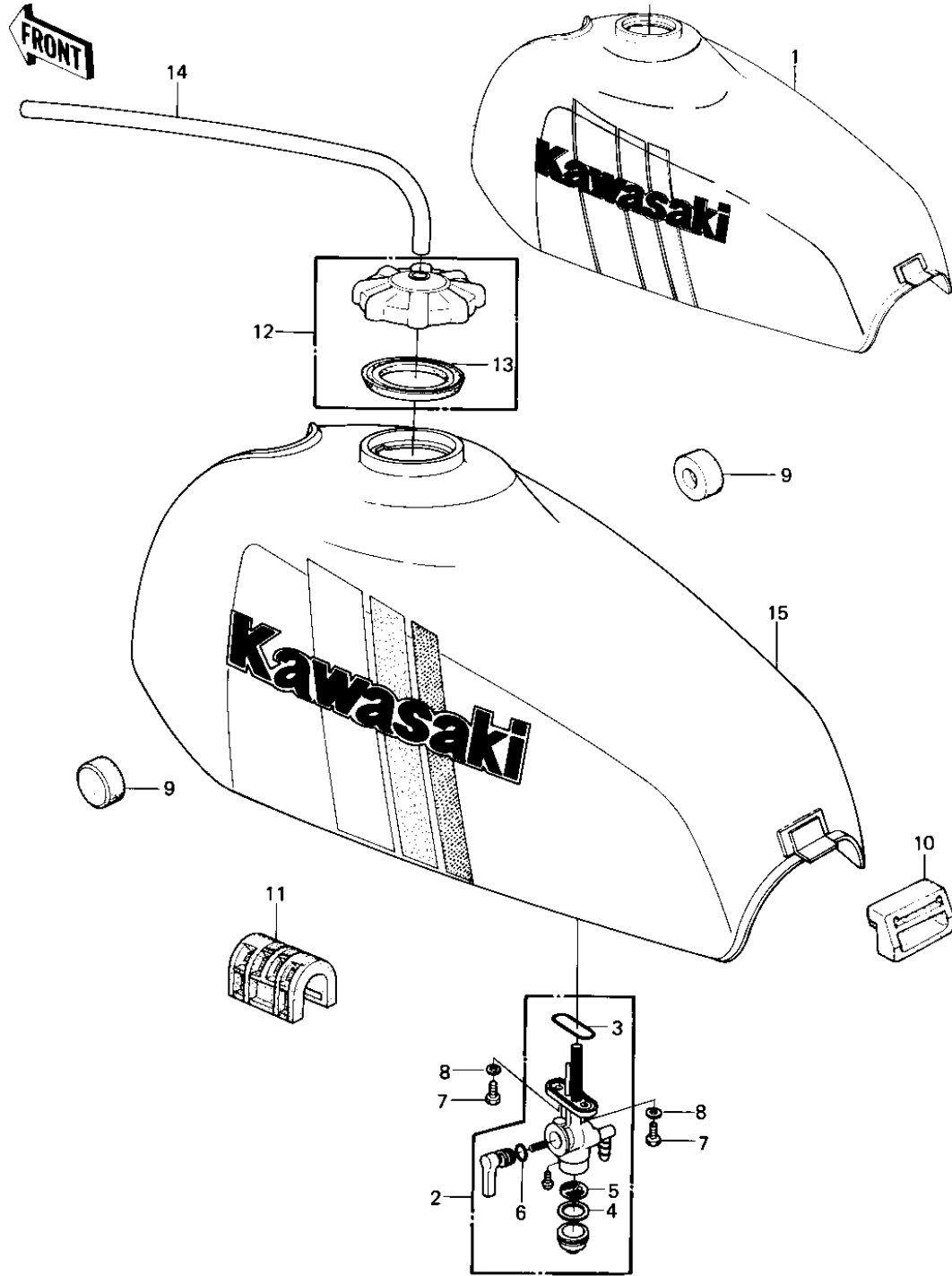


1980 KE175 PARTS DIAGRAM

FUEL TANK ('80-'81 KE175-D2/D3)



1980 KE175 PARTS LIST

FUEL TANK ('80-'81 KE175-D2/D3)

ITEM NAME	PART NUMBER	QUANTITY
TANK-FUEL,F.RED (Ref # 1)	51001-5052-B1	1
TANK-FUEL,B.BLUE (Ref # 1)	51001-1013-C9	1
TAP ASSY,FUEL (Ref # 2)	51023-1020	1
"O" RING (Ref # 3)	51039-003	1
GASKET,FUEL TAP CUP (Ref # 4)	11009-1013	1
STRINER,FUEL TAP (Ref # 5)	14043-1002	1
"O" RING, 10MM (Ref # 6)	670B2010	1
BOLT,6X20,FUEL TAP (Ref # 7)	92001-1091	2
WASHER-PLAIN (Ref # 8)	92022-183	2
DAMPER RUBBER-FL TANK (Ref # 9)	92075-101	2
DAMPER,FUEL TANK,REAR (Ref # 10)	92075-1074	1
DAMPER RUBBER (Ref # 11)	92075-284	1
CAP ASSY,TANK,FUEL (Ref # 12)	51048-1004	1
GASKET,FUEL TANK CAP (Ref # 13)	51059-006	1
TUBE,5X1430 (Ref # 14)	702A051430	1
TANK-FUEL,F.RED (Ref # 15)	51001-5087-B1	1
TANK-COMP-FUEL,S.B.YL (Canada) (Ref # 15)	51001-1013-E5	1