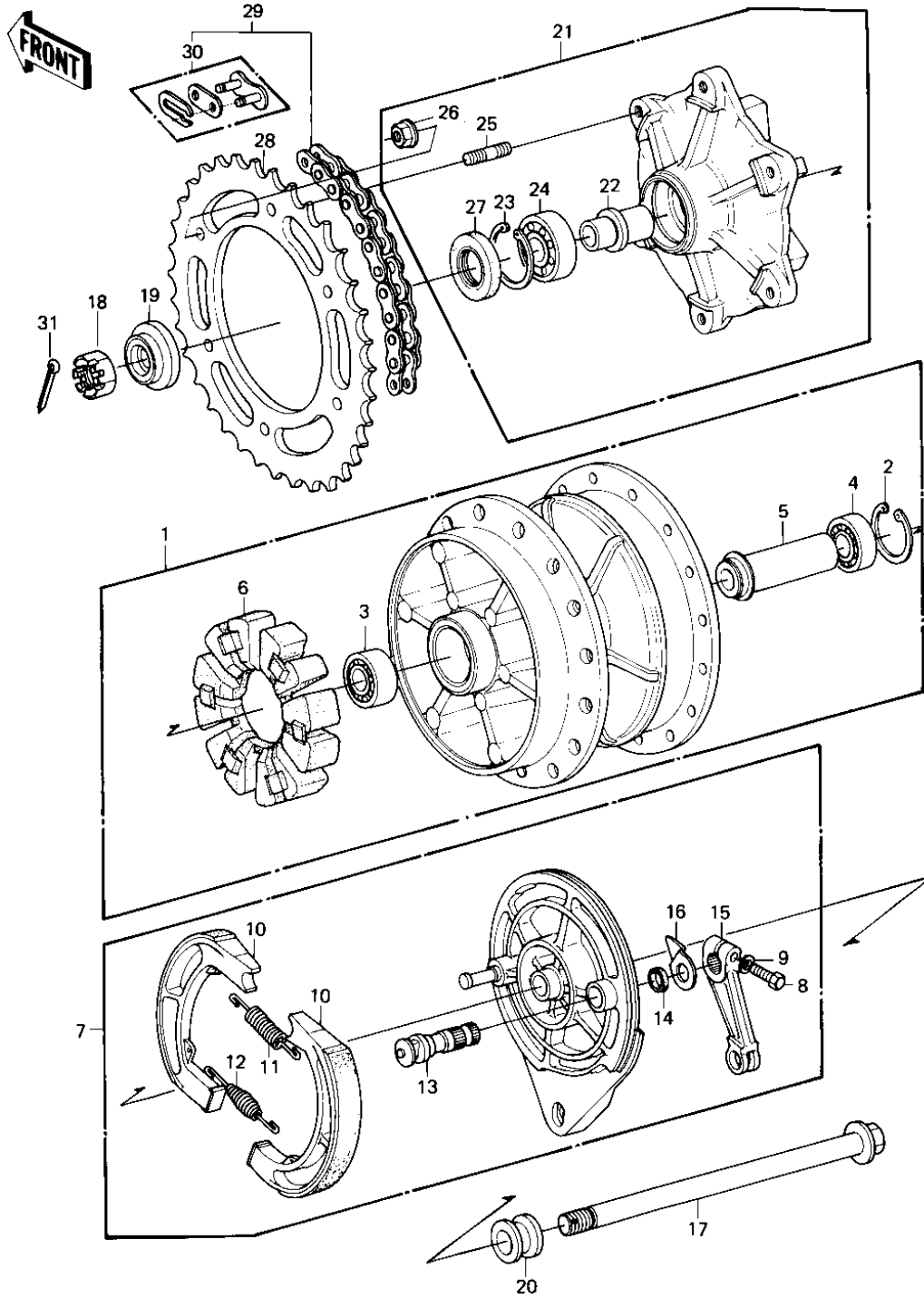


1980 KE175 PARTS DIAGRAM

REAR HUB/BRAKE/CHAIN ('80-'81 KE175-D2/D)



1980 KE175 PARTS LIST

REAR HUB/BRAKE/CHAIN ('80-'81 KE175-D2/D)

ITEM NAME	PART NUMBER	QUANTITY
DRUM-ASSY,RR BRK (Ref # 1)	41034-1015	1
CIRCLIP,35MM (Ref # 2)	481J3500	1
BEARING BALL #6202 (Ref # 3)	601B6202	1
BEARING,BALL,#6202UC3 (Ref # 4)	601B6202U	1
COLLER,REAR BRAKE (Ref # 5)	92027-1099	1
DAMPER,RR HUB,SHOCK (Ref # 6)	92075-1068	1
PANEL-ASY,RR BRK (Ref # 7)	41035-1017	1
BOLT-UPSET (Ref # 8)	112G0625	1
WASHER PLAIN 6MM (Ref # 9)	410B0600	1
SHOE BRAKE (Ref # 10)	41048-1012	2
SPRING,BRAKE SHOE (Ref # 11)	92081-1766	1
SPRING,BRAKE SHOE (Ref # 12)	92081-1550	1
CAM,BRAKE,REAR (Ref # 13)	41050-1011	1
DUST SHIELD BRAKE CAM (Ref # 14)	41051-001	1
LEVER,BRAKE CAM,REAR (Ref # 15)	41053-1013	1
INDICATOR,FR BRK SHOE (Ref # 16)	41085-017	1
AXLE,RR,L=266 (Ref # 17)	41068-1103	1
AXLE,RR,L=266 (Ref # 17)	41068-1103	1
NUT,14MM (Ref # 18)	92015-1407	1
NUT,14MM (Ref # 18)	42045-020	1
COLLAR,REAR AXLE,L.H (Ref # 19)	92027-1100	1
COLLAR,REAR AXLE,R.H (Ref # 20)	92027-1101	1
COUPLING ASSY,RR HUB (Ref # 21)	42033-1007	1
SLEEVE,RR HUB COUPLIN (Ref # 22)	42036-1020	1
CIRCLIP,42MM (Ref # 23)	92033-1041	1
BEARING BALL #6004 (Ref # 24)	601B6004	1
STUD,8X17 (Ref # 25)	92004-1015	6
NUT-8MM (Ref # 26)	92015-1022	6
OIL SEAL,RR HUB BRNG (Ref # 27)	92050-060	1

1980 KE175 PARTS LIST

REAR HUB/BRAKE/CHAIN ('80-'81 KE175-D2/D)

ITEM NAME	PART NUMBER	QUANTITY
SPROCKET,REAR,44T (Ref # 28)	42041-1050	1
CHAIN,DR.EK428SHX116L (Ref # 29)	92057-1096	1
JOINT-CHAIN (Ref # 30)	92058-1015	1
PIN COTTER 3.0X30 (Ref # 31)	550D3030	1