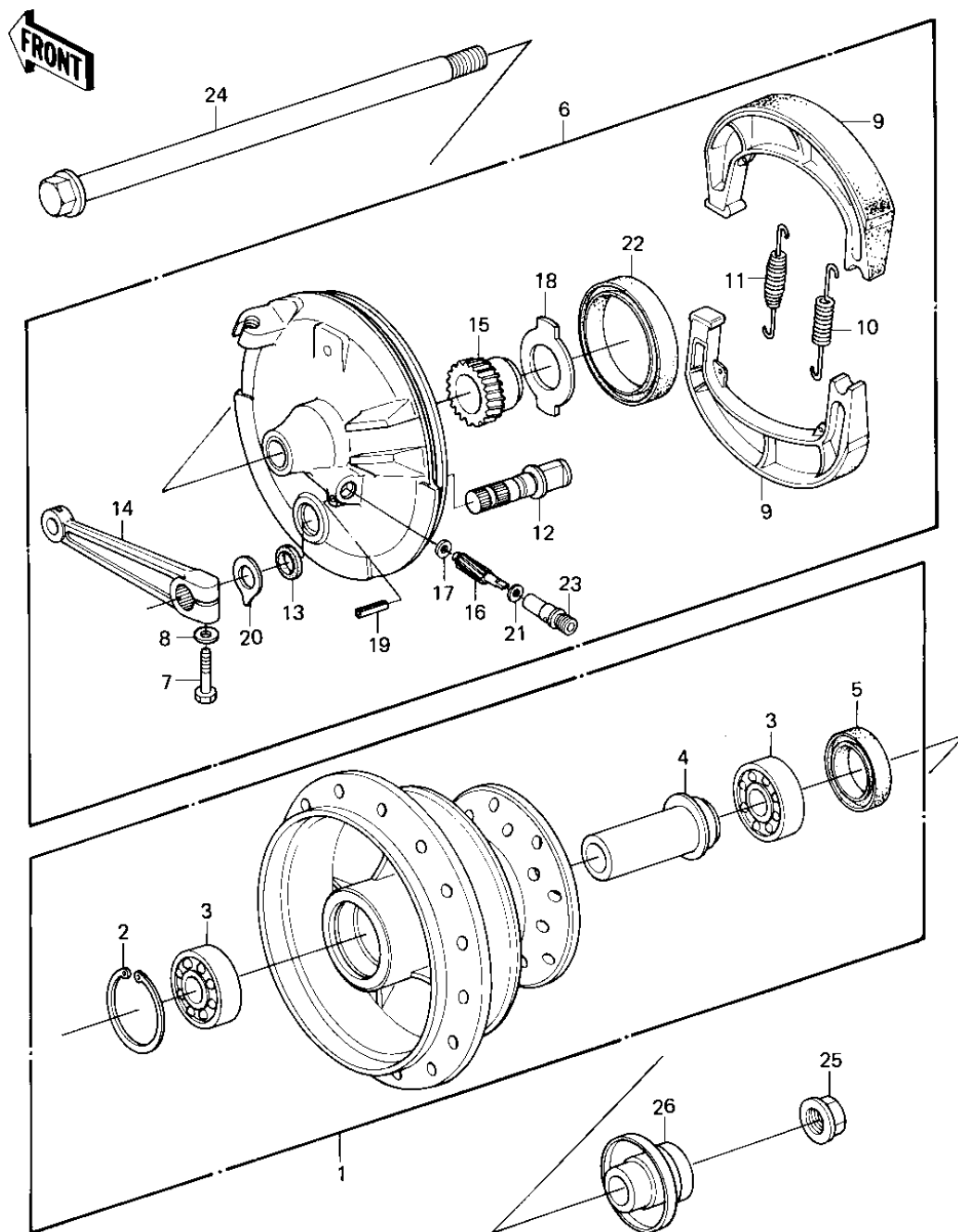


1981 KE175 PARTS DIAGRAM

FRONT HUB/BRAKE ('80-'81 KE175-D2/D3)



1981 KE175 PARTS LIST

FRONT HUB/BRAKE ('80-'81 KE175-D2/D3)

ITEM NAME	PART NUMBER	QUANTITY
DRUM-ASSY,FR BRK (Ref # 1)	41034-1014	1
CIRCLIP.37MM (Ref # 2)	481J3700	1
BEARING BALL #6301 (Ref # 3)	601B6301	1
COLLAR,FR BRAKE DRUM (Ref # 4)	92027-1097	1
OIL SEAL,FR BK DRUM (Ref # 5)	92050-059	1
PANEL-ASY,FR BRK (Ref # 6)	41035-1045	2
BOLT-UPSET (Ref # 7)	112G0625	1
WASHER PLAIN 6MM (Ref # 8)	410B0600	1
SHOE,BRAKE (Ref # 9)	41048-015	1
SPRING,BRAKE SHOE (Ref # 10)	92081-1766	1
SPRING,BRAKE SHOE (Ref # 11)	92081-1550	1
CAM,BRAKE,FRONT (Ref # 12)	41050-1010	1
DUST SHIELD BRAKE CAM (Ref # 13)	41051-001	1
LEVER,BRAKE FRONT (Ref # 14)	41053-1012	1
GEAR,SPEEDOMETER,24T (Ref # 15)	41060-1017	1
PINION,SPEEDOMETER,8T (Ref # 16)	41060-1018	1
WASHER THRST SPD PINI (Ref # 17)	41063-001	2
RECIEVER-SPEED GEAR (Ref # 18)	41064-006	1
PIN,SPRING (Ref # 19)	41082-001	1
INDICATOR,BRAKE SHOE (Ref # 20)	41085-1003	1
OIL SEAL F BRK PANEL (Ref # 22)	92050-010	1
BUSHING,METER GEAR (Ref # 23)	92087-1002	1
AXLE,FR,L=215 (Ref # 24)	41068-1095	1
NUT-12MM (Ref # 25)	92015-1156	1
COLLAR,FRONT AXLE (Ref # 26)	92027-1098	1