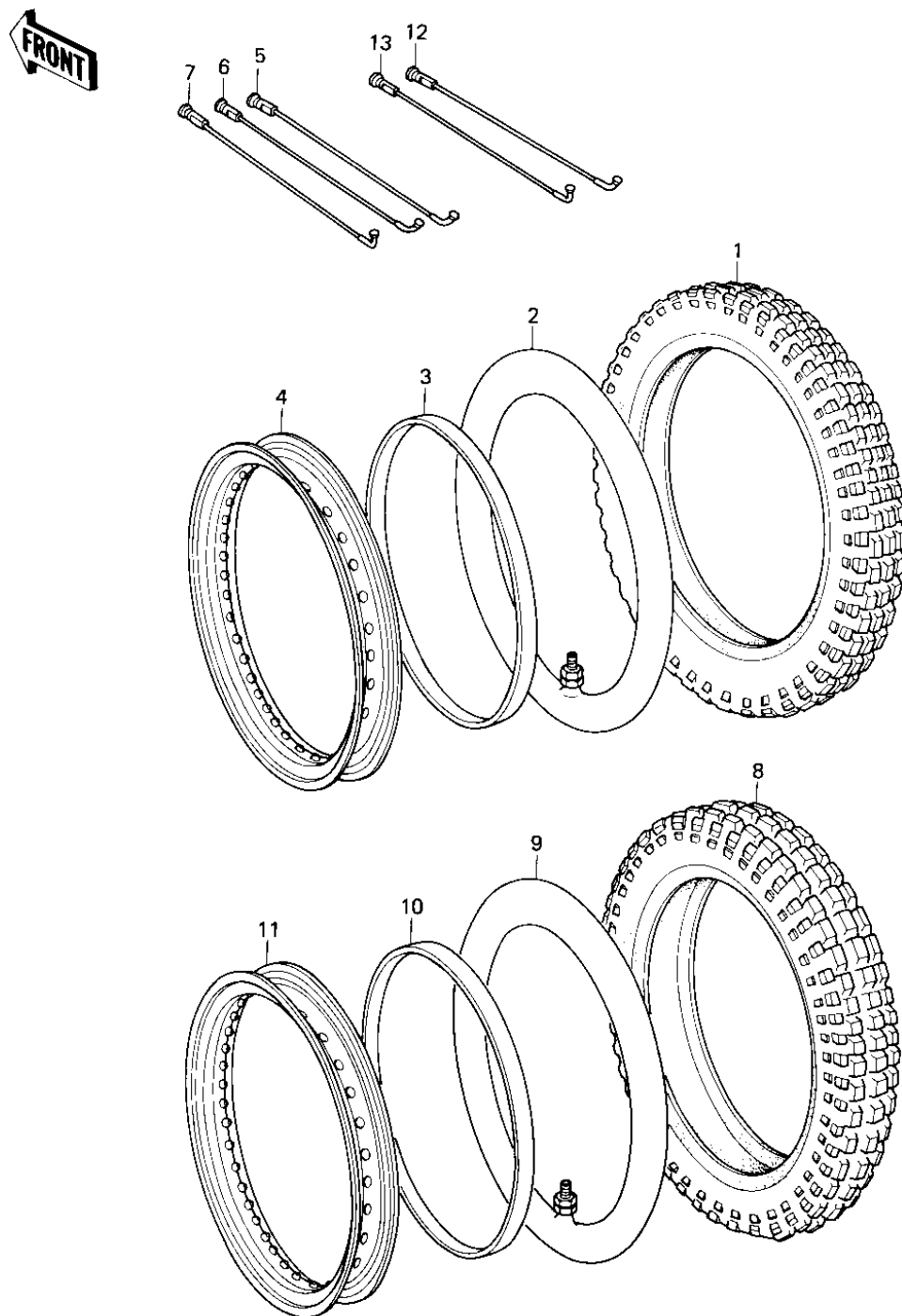


1981 KE175 PARTS DIAGRAM

WHEELS/TIRES ('80-'81 KE175-D2/D3)



1981 KE175 PARTS LIST

WHEELS/TIRES ('80-'81 KE175-D2/D3)

ITEM NAME	PART NUMBER	QUANTITY
TIRE 275-21 Y965 F (Ref # 1)	41002-1215	1
TUBE,2.75/3.70-21 (Ref # 2)	41022-1021	1
BAND,RIM,3.00-21 (Ref # 3)	41023-1001	1
RIM,FRONT,1.60X21 (Ref # 4)	41025-1012	1
SPOKE-ASY,FR INNER R (Ref # 5)	41027-5021	1
SPOKE-ASY,FR INNER L (Ref # 6)	41027-5022	1
SPOKE-ASY,FR OUTER L (Ref # 7)	41028-5019	1
TIRE 350-18 Y962 R (Ref # 8)	41002-1216	1
TUBE 350/375/410-18 (Ref # 9)	41022-031	1
BAND RIM (Ref # 10)	41023-001	1
RIM,REAR,1.85X18 (Ref # 11)	41025-1013	1
SPOKE-ASY,RR INNER L (Ref # 12)	41027-070	1
SPOKE-ASY RR OUTER L (Ref # 13)	41028-069	1