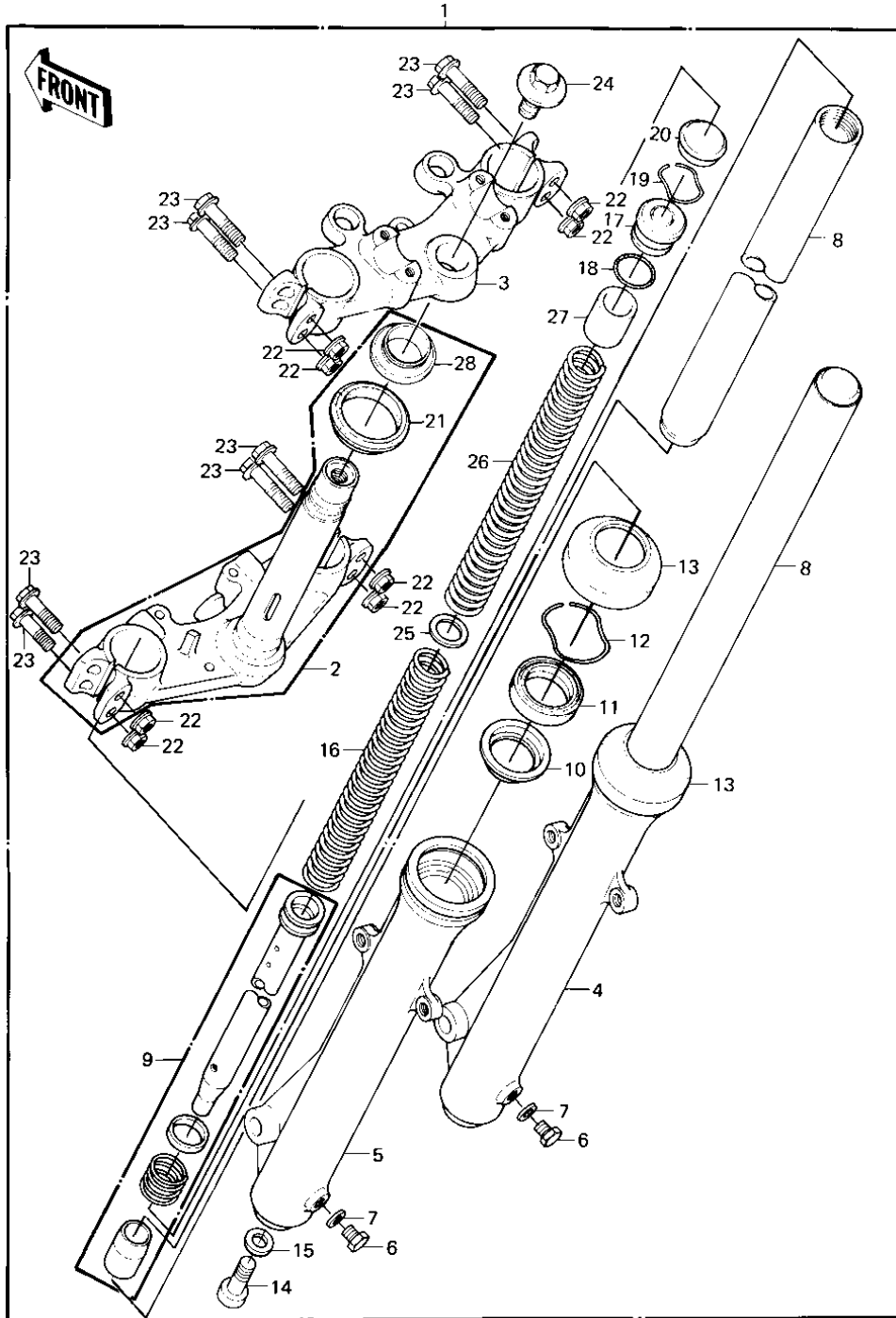


1980 KE175 PARTS DIAGRAM

FRONT FORK ('80-'81 KE175-D2/D3)



1980 KE175 PARTS LIST

FRONT FORK ('80-'81 KE175-D2/D3)

ITEM NAME	PART NUMBER	QUANTITY
FORK-FRONT (Ref # 1)	44001-1417	1
STEM,STEERING (Ref # 2)	44037-1012	1
HEAD,STEERING STEM (Ref # 3)	44039-1020	1
TUBE,RH,FORK OUTER (Ref # 4)	44006-1017	1
PIPE-LEFT FORK OUTER (Ref # 5)	44005-1113	1
BOLT HEX HEAD 6X8 (Ref # 6)	110B0608	2
GASKET,DRAIN PLUG (Ref # 7)	44045-047	2
TUBE,FORK,INNER (Ref # 8)	44013-1014	2
CYLINDER-FORK (Ref # 9)	44022-1015	2
SPACER,OUTER TUBE (Ref # 10)	92026-1028	2
SEAL-OIL,FORK (Ref # 11)	92049-1268	2
CIRCLIP,OUTER TUBE (Ref # 12)	92033-1022	2
DUST SHIELD,FORK (Ref # 13)	92093-1017	2
BOLT,FORK CYLINDER (Ref # 14)	44041-078	2
GASKET,FORK CYL BOLT (Ref # 15)	44045-051	2
SPRING,FORK,LOWER (Ref # 16)	44026-1019	2
SEAT,FORK SPRING (Ref # 17)	44029-1012	2
"O" RING,SPRING SEAT (Ref # 18)	92055-1060	2
CIRCLIP,FORK TOP (Ref # 19)	92033-1023	2
CAP,RUBBER,FORK TOP (Ref # 20)	11012-1061	2
SEAL,STEERING STEM (Ref # 21)	44010-027	1
NUT,8MM (Ref # 22)	92015-1055	8
BOLT,HEX HEAD,8X45 (Ref # 23)	92001-1136	8
BOLT,STEERING STEM HE (Ref # 24)	92001-1741	1
WASHER,FORK SPRING (Ref # 25)	44028-1005	2
SPRING,FORK,UPPER (Ref # 26)	44026-1034	2
COLLAR,FORK SPRING (Ref # 27)	92026-1054	2
CONE STERNG BERG LOW (Ref # 28)	92047-010	1