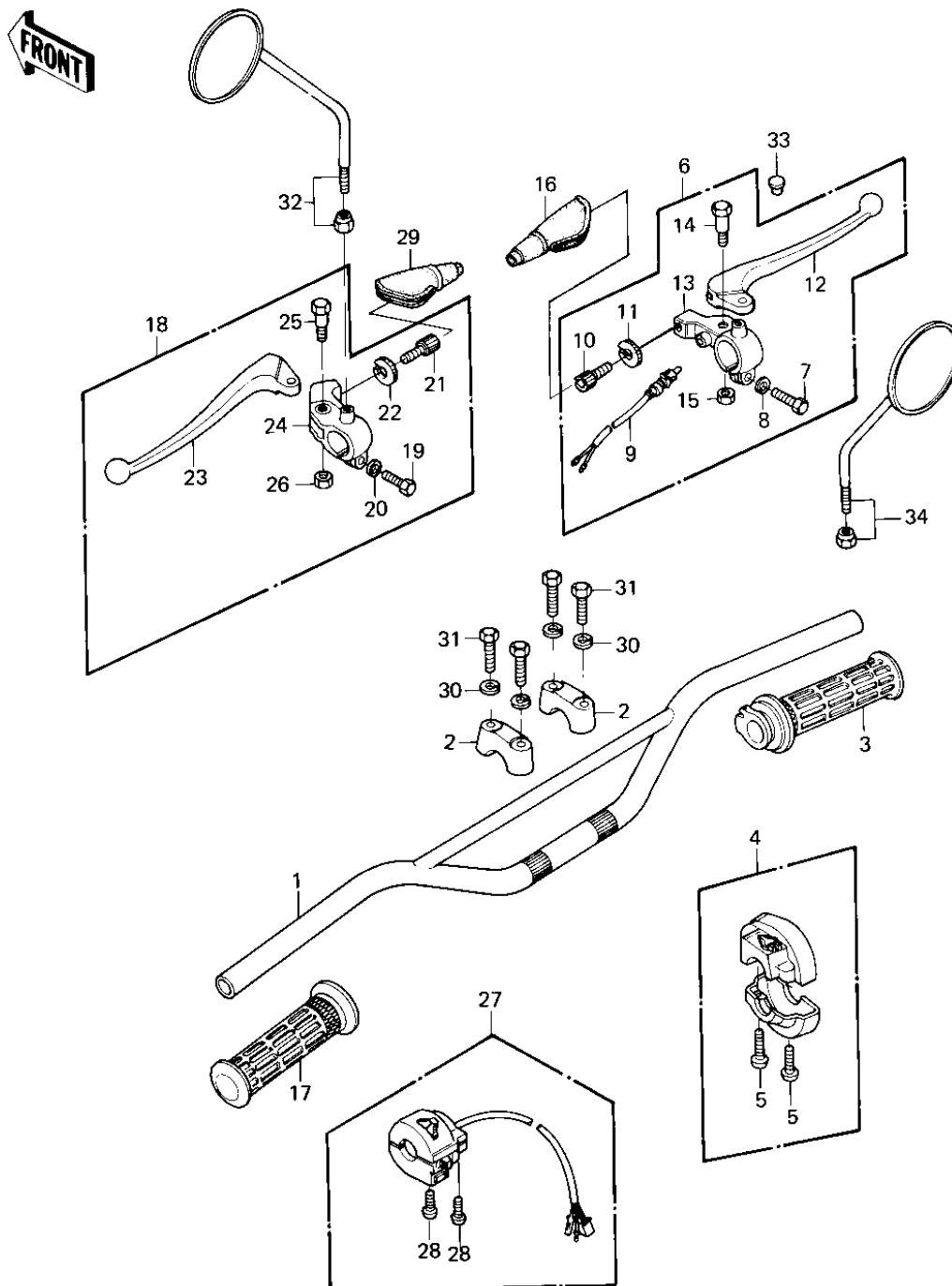


1981 KE175 PARTS DIAGRAM

HANDLEBAR ('80-'81 KE175-D2/D3)



1981 KE175 PARTS LIST

HANDLEBAR ('80-'81 KE175-D2/D3)

ITEM NAME	PART NUMBER	QUANTITY
HANDLEBAR (Ref # 1)	46003-1022	1
HOLDER,HANDLEBAR (Ref # 2)	46012-014	1
GRIP ASSY,THROTTLE (Ref # 3)	46019-1005	1
HOUSING ASSY,CONT,R.H (Ref # 4)	46091-1041	1
SCREW PAN HEAD 5X18 (Ref # 5)	220B0518	1
LEVER ASSY,FRONT BRK (Ref # 6)	46021-029	1
LEVER ASSY,FRNT BRAKE (Ref # 6)	46021-031	1
BOLT HEX HEAD 6X25 (Ref # 7)	110N0625	2
WASHER,PLAIN,6MM (Ref # 8)	410D0600	2
SWITCH-FR. BRAKE LAMP (Ref # 9)	27021-004	1
SCREW,CABLE ADJUST (Ref # 10)	46055-010	1
SCREW CABLE ADJUST (Ref # 10)	46055-003	2
NUT-LOCK (Ref # 11)	46056-005	2
LEVER FRONT BRAKE (Ref # 12)	46058-004	1
HOLDER-FR BRK LEV,BLK (Ref # 13)	46060-009-21	1
BOLT,HEX HEAD,5X22 (Ref # 14)	92007-046	2
NUT-LOCK,5MM (Ref # 15)	92019-014	2
BOOTS,LEVER HOLDER (Ref # 16)	49006-1017	2
GRIP,L.H. (Ref # 17)	46075-1004	1
LEVER ASSY,CLUTCH (Ref # 18)	46076-044	1
LEVER-CLUTCH (Ref # 23)	46092-015	1
HOLDER-CLUTCH LEV,BLK (Ref # 24)	46094-011-21	1
HOUSING ASSY,L.H (Ref # 27)	46091-1042	1
SCREW PAN HEAD 5X22 (Ref # 28)	220B0522	1
WASHER SPRING 8MM (Ref # 30)	461F0800	1
BOLT 8X38 (Ref # 31)	92001-1405	1
REAR VIEW MIRROR,L.H (Ref # 32)	56003-009	1
CAP-RR VIEW MIRROR (Ref # 33)	92102-009	1
REAR VIEW MIRROR,R.H (Ref # 34)	56002-020	1