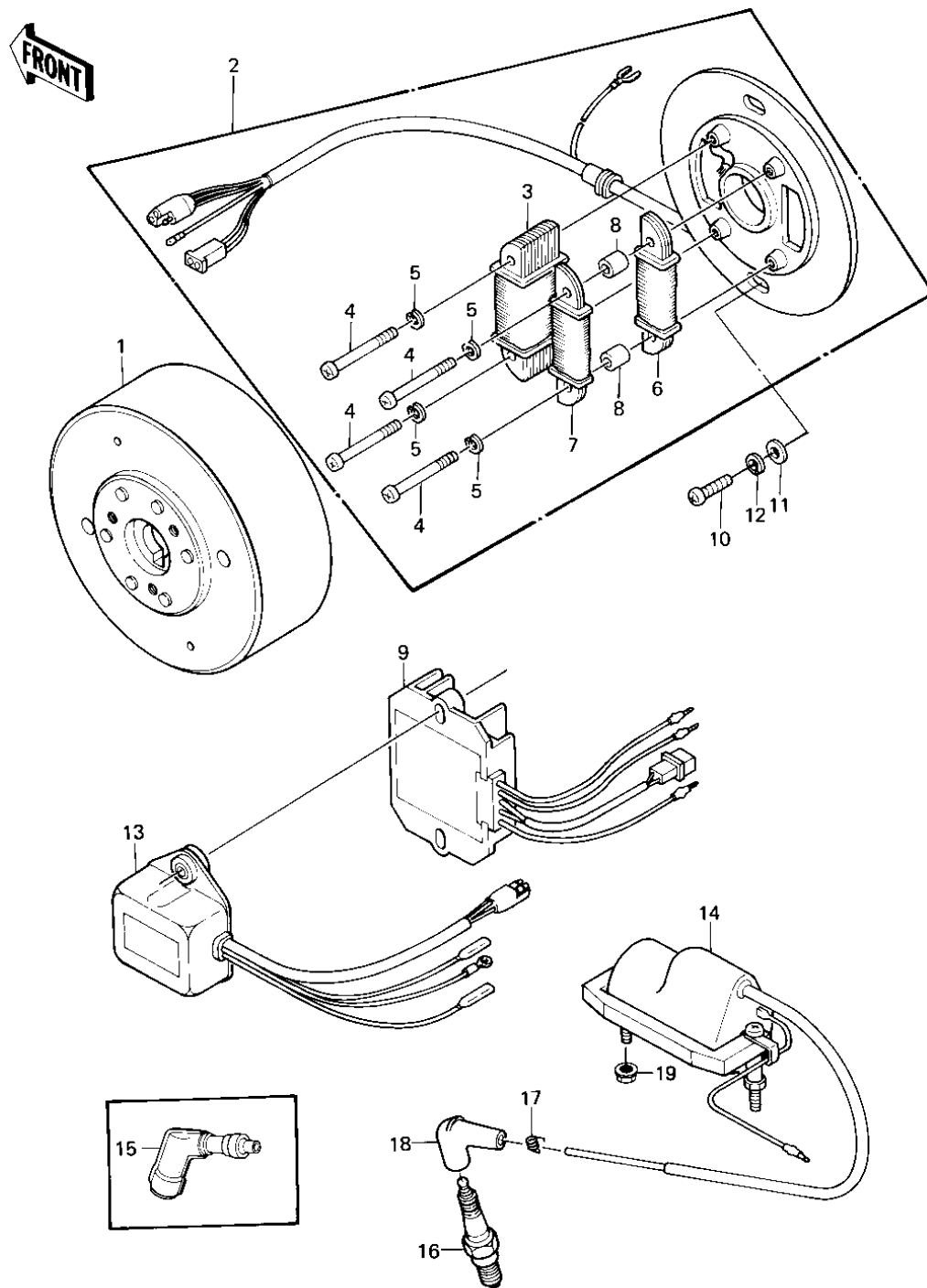


1981 KE175 PARTS DIAGRAM

IGNITION/GENERATOR/REGULATOR



1981 KE175 PARTS LIST

IGNITION/GENERATOR/REGULATOR

ITEM NAME	PART NUMBER	QUANTITY
FLYWHEEL,MAGNETO (Ref # 1)	21050-1013	1
STATOR ASSY,MAGNETO (Ref # 2)	21003-1031	1
COIL,CHARGING (Ref # 3)	59031-1003	1
SCREW-PAN-CROS (Ref # 4)	220B0540	1
WASHER SPRING 5MM (Ref # 5)	461F0500	1
COIL,EXITING (Ref # 6)	21049-1006	1
COIL,PULSING (Ref # 7)	59026-1008	1
COLLAR,COIL (Ref # 8)	92027-1221	1
REGULATOR,VOLTAGE (Ref # 9)	21066-1012	1
SCREW PAN HEAD 6X20 (Ref # 10)	220B0620	1
WASHER PLAIN 6MM (Ref # 11)	410B0600	1
WASHER SPRING 6MM (Ref # 12)	461F0600	1
IGNITER (Ref # 13)	21119-1003	1
COIL,IGNITION (Ref # 14)	21121-1012	1
CAP,SPARK PLUG (Ref # 15)	21160-005	1
SPARK PLUG B7ES (Ref # 16)	B7ES	1
SPRING-SPARK PLUG CAP (Ref # 17)	92101-001	1
CAP SPARK PLUG (Ref # 18)	21130-009	1
NUT-6MM (Ref # 19)	92015-1078	1