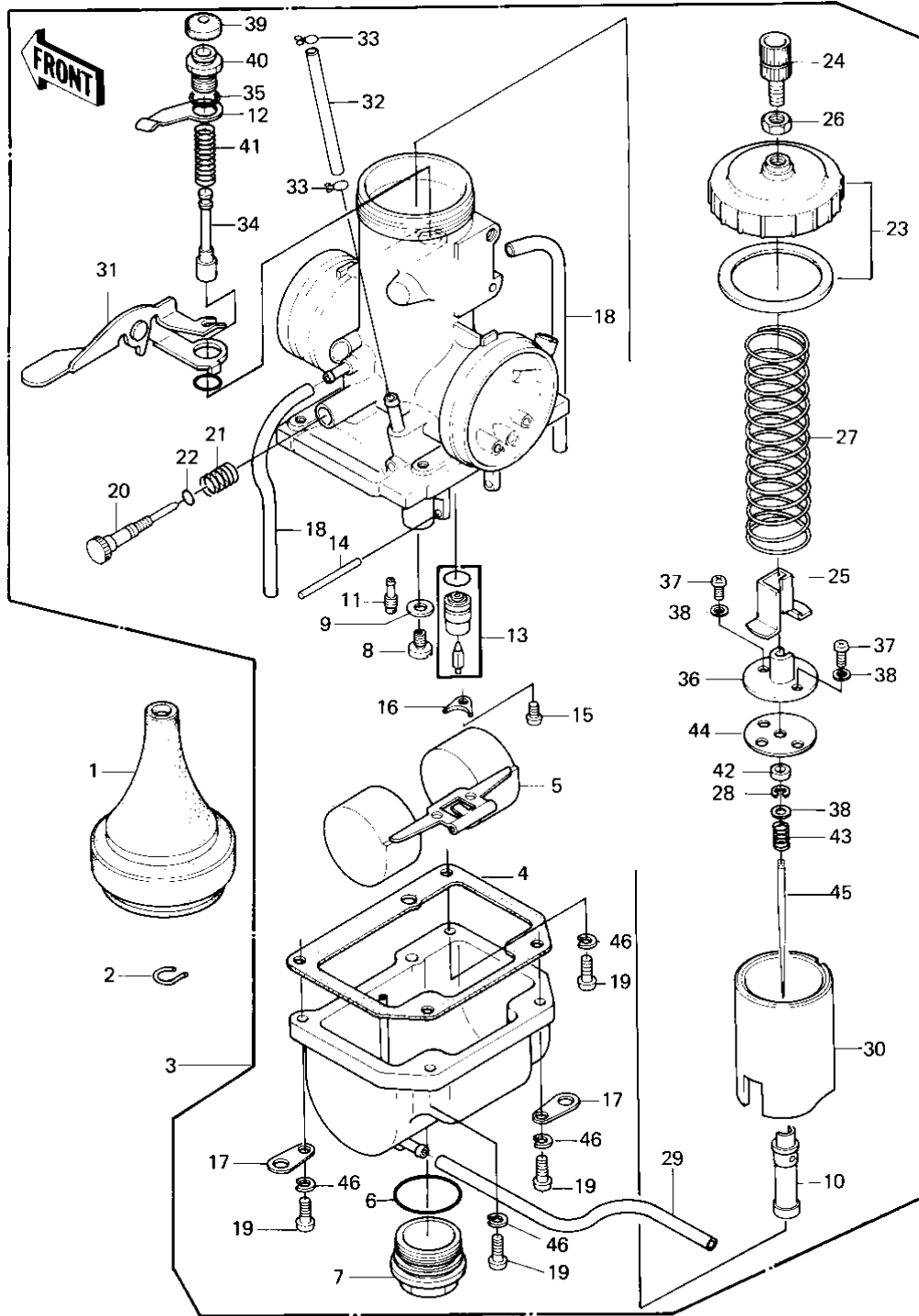


# 1980 KE175 PARTS DIAGRAM

CARBURETOR ('80-'81 KE175-D2/D3)



# 1980 KE175 PARTS LIST

CARBURETOR ('80-'81 KE175-D2/D3)

ITEM NAME	PART NUMBER	QUANTITY
BOOT,CARBURETOR (Ref # 1)	49006-1169	1
CIRCLIP (Ref # 2)	92036-018	1
CARBURETOR (Ref # 3)	16001-1266	1
GASKET,FLOAT CHAMBER (Ref # 4)	11009-1178	1
FLOAT (Ref # 5)	16031-1011	1
"O" RING (Ref # 6)	92055-1076	1
COVER,FLOAT CHAMBER (Ref # 7)	14025-1198	1
MAIN JET,#A102.5 (Ref # 8)	92063-1028	1
MAIN JET,#A97.5R (Ref # 8)	92063-1035	(1
MAIN JET,#A100 (Ref # 8)	92063-1033	(1
MAIN JET,#A105R (Ref # 8)	92063-1042	(1
JET-MAIN NO 107.5R (Ref # 8)	92063-073	(1
WASHER MAIN JET (Ref # 9)	16034-001	1
NEEDLE JET.0-6 (Ref # 10)	16017-1050	1
PILOT JET,#22.5 (Ref # 11)	92064-1026	1
SPRING PLATE,STARTER (Ref # 12)	13169-1224	1
VALVE ASSY,FLOAT (Ref # 13)	16030-1011	1
FLOAT PIN (Ref # 14)	16032-003	1
SCREW PAN HEAD 4X8 (Ref # 15)	220B0408	1
PLATE, LOCK (Ref # 16)	13169-1190	1
PLATE,TUBE CLAMP (Ref # 17)	13169-1226	2
TUBE,3X5X100 (Ref # 18)	92059-1116	2
SCREW PAN HEAD 4X16 (Ref # 19)	220B0416	4
SCREW,THROTTLE ADJST (Ref # 20)	16021-1012	1
SPRING,THROTTLE ADJST (Ref # 21)	92081-1152	1
"O" RING (Ref # 22)	92055-044	1
CAP-MIXING CHAMBER (Ref # 23)	16004-018	1
ADJUSTER,CABLE (Ref # 24)	16002-014	1
COVER,THROTTLE VALVE (Ref # 25)	14025-1197	1

# 1980 KE175 PARTS LIST

CARBURETOR ('80-'81 KE175-D2/D3)

ITEM NAME	PART NUMBER	QUANTITY
NUT-CABLE ADJUST LOCK (Ref # 26)	16003-006	1
SPRING,THROTTLE VALV (Ref # 27)	16006-023	1
CIRCLIP (Ref # 28)	16008-010	1
TUBE,3X5X300 (Ref # 29)	92059-1755	1
VALVE,THROTTLE CA2.0 (Ref # 30)	16025-1043	1
LEVER,STARTER PLUNGER (Ref # 31)	16063-004	1
PIPE,FUEL (Ref # 32)	92059-130	1
CLAMP-PIPE (Ref # 33)	92037-072	2
PLUNGER,STARTER (Ref # 34)	16016-1011	1
"O" RING,9MM (Ref # 35)	670B1509	1
CONNECTOR,THROTTLE (Ref # 36)	13159-1010	1
SCREW,PAN HEAD,3X14 (Ref # 37)	16033-031	2
WASHER,THROTTLE VALVE (Ref # 38)	92022-1024	2
CAP,STARTER PLUNGER (Ref # 39)	16039-015	1
CAP,STARTER PLUNGER (Ref # 40)	16012-019	1
SPRING,STRTR PLUNGER (Ref # 41)	92081-1181	1
RING,JET NEEDLE (Ref # 42)	92027-1103	1
SPRING,JET NEEDLE (Ref # 43)	92081-1072	1
PLATE,THROTTLE VALVE (Ref # 44)	16007-1011	1
JET NEEDLE, 5CT34 (Ref # 45)	16009-1053	1
WASHER SPRING 4MM (Ref # 46)	461F0400	4