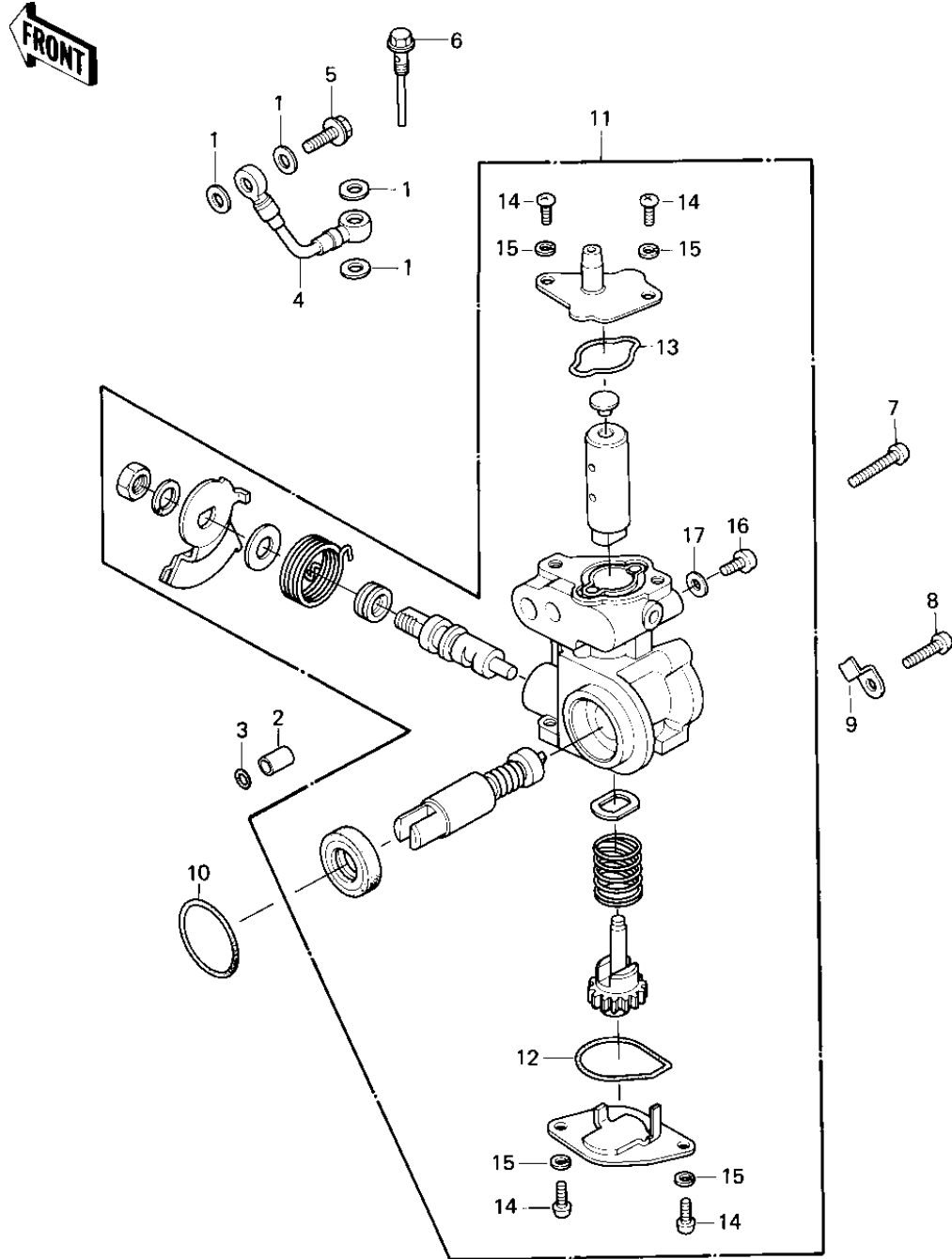


1980 KE175 PARTS DIAGRAM

OIL PUMP ('80-'81 KE175-D2/D3)



1980 KE175 PARTS LIST

OIL PUMP ('80-'81 KE175-D2/D3)

ITEM NAME	PART NUMBER	QUANTITY
WASHER OIL PUMP BANJO (Ref # 1)	92022-077	4
COLLAR (Ref # 2)	92027-256	1
"O" RING,5MM (Ref # 3)	670B1505	1
PIPE,OIL (Ref # 4)	92059-1090	1
BOLT-BANJO,6MM (Ref # 5)	92060-013	1
NOZZLE, (Ref # 6)	92062-1008	1
SCREW PAN HEAD 5X20 (Ref # 7)	220B0520	1
SCREW PAN HEAD 6X16 (Ref # 8)	220B0616	1
CLAMP (Ref # 9)	92037-1080	1
"O" RING (Ref # 10)	92055-055	1
PUMP ASSY,OIL (Ref # 11)	16082-1006	1
"O" RING,OIL PUMP LOW (Ref # 12)	92055-1015	1
"O" RING,OIL PUMP,UPP (Ref # 13)	92055-1016	1
SCREW PAN HEAD 3X8 (Ref # 14)	220B0308	4
WASHER SPRING 3MM (Ref # 15)	461F0300	4
SCREW PAN HEAD 5X8 (Ref # 16)	220B0508	1
WASHER,AIR VENT (Ref # 17)	92022-1025	1