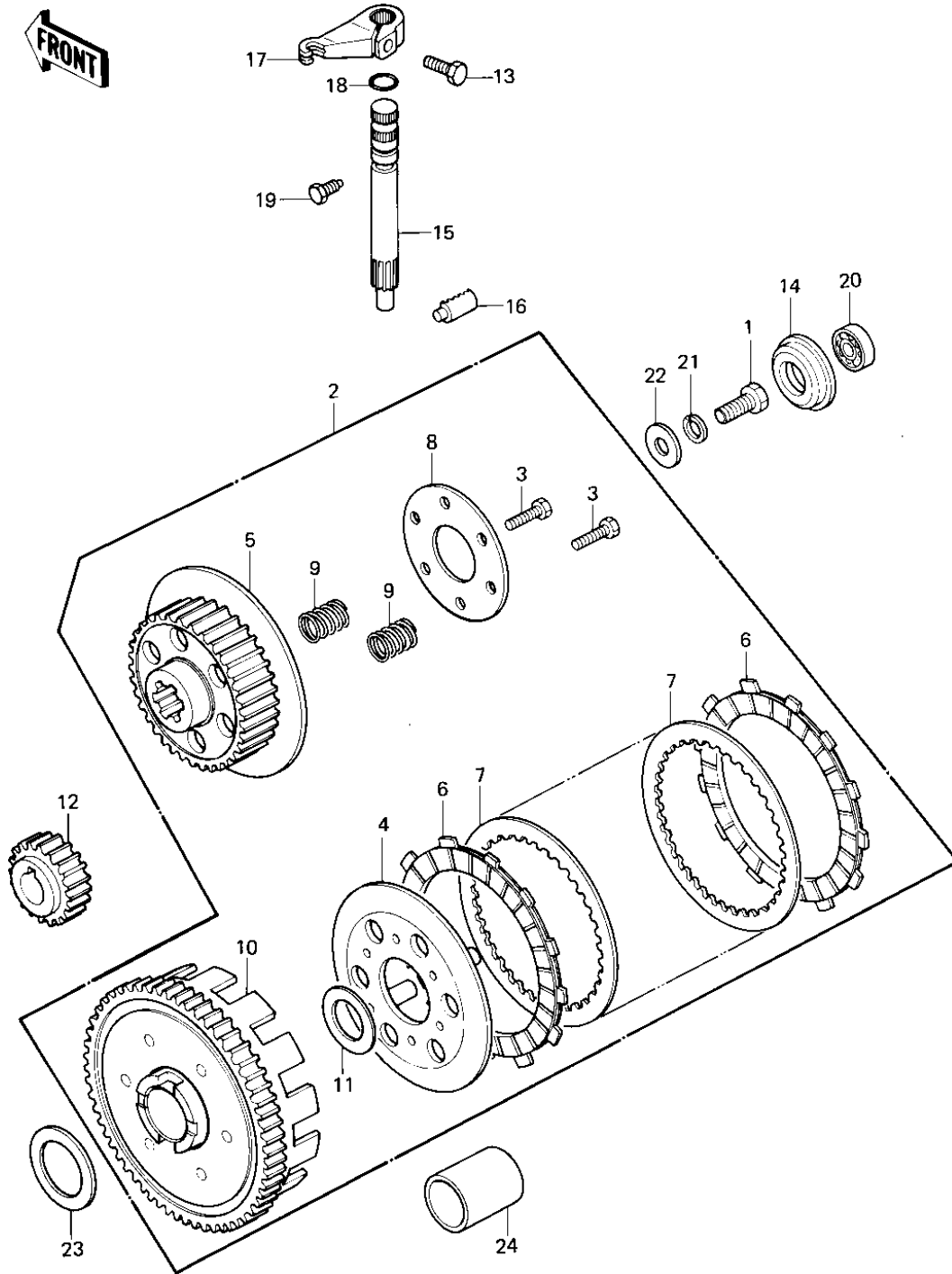


1981 KE175 PARTS DIAGRAM

CLUTCH ('80-'81 KE175-D2/D3)



1981 KE175 PARTS LIST

CLUTCH ('80-'81 KE175-D2/D3)

ITEM NAME	PART NUMBER	QUANTITY
BOLT,HEX HEAD,10X22 (Ref # 1)	113G1022	1
CLUTCH-ASSY (Ref # 2)	13081-1050	2
BOLT (Ref # 3)	110G0520	1
WHEEL,CLUTCH (Ref # 4)	13086-017	1
HUB,CLUTCH (Ref # 5)	13087-041	1
PLATE-FRICTION (Ref # 6)	13088-1015	1
PLATE CLUTCH STEEL (Ref # 7)	13089-003	1
HOLDER,CLUTCH SPRING (Ref # 8)	13091-1017	1
SPRING,CLUTCH (Ref # 9)	92081-1174	1
HOUSING-COMP-CLUTCH (Ref # 10)	13095-1024	1
WASHER-CLUTCH THRUST (Ref # 11)	92022-168	2
GEAR,PRIMARY,24T (Ref # 12)	13097-1006	1
BOLT-UPSET (Ref # 13)	112G0618	1
HOLDER,CLUTCH PUSHER (Ref # 14)	13091-1018	1
SHAFT,CLUTCH RELEASE (Ref # 15)	13106-1002	1
PUSHER,CLUTCH (Ref # 16)	13114-1003	1
LEVER,CLUTCH RELEASE (Ref # 17)	13168-1023	1
"O" RING,9MM (Ref # 18)	670B1509	1
BOLT,CLUTCH RELEASE (Ref # 19)	92003-130	1
BEARING-BALL (Ref # 20)	92045-1211	1
WASHER SPRING 10MM (Ref # 21)	461F1000	1
WASHER,10.2X28X2 (Ref # 22)	92022-1088	1
BUSH-CLUTCH (Ref # 24)	92028-014	1