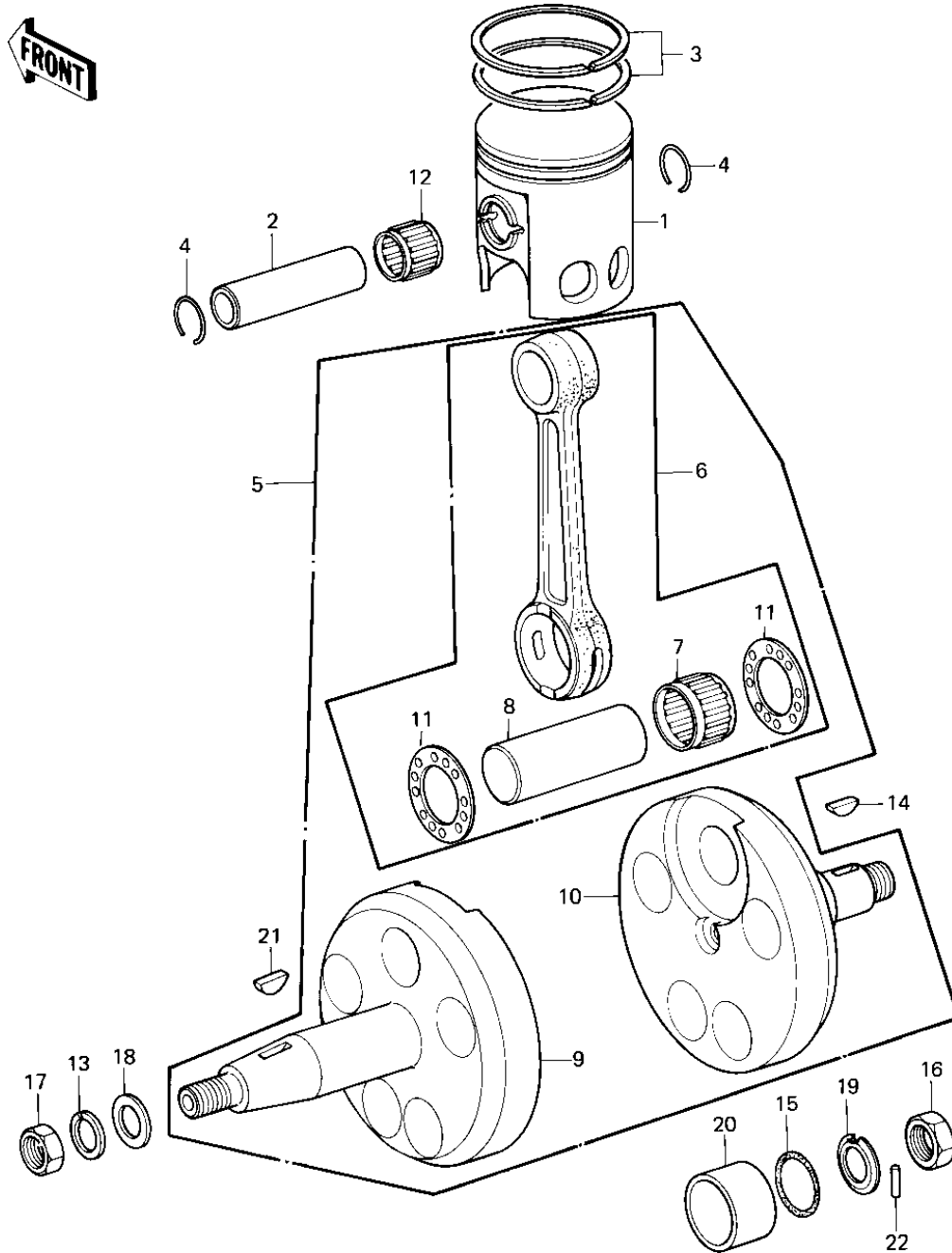


1981 KE175 PARTS DIAGRAM

CRANKSHAFT/PISTON ('80-'81 KE175-D2/D3)



1981 KE175 PARTS LIST

CRANKSHAFT/PISTON ('80-'81 KE175-D2/D3)

ITEM NAME	PART NUMBER	QUANTITY
PISTON,STD (Ref # 1)	13001-1041	1
PIN-PISTON (Ref # 2)	13002-1004	1
RING SET,STD (Ref # 3)	13008-5024	1
CIRCLIP PISTON PIN (Ref # 4)	92036-004	1
CRANKSHAFT ASSY (Ref # 5)	13031-1011	1
CONNECTING ROD ASSY, (Ref # 6)	13044-5012	1
BEARING,BIG END (Ref # 7)	13034-042	1
CRANK PIN (Ref # 8)	13035-022	1
CRANKSHAFT,L.H. (Ref # 9)	13037-1012	1
CRANKSHAFT,R.H. (Ref # 10)	13037-1013	1
WASHER SIDE (Ref # 11)	92026-011	1
BEARING-NEEDLE (Ref # 12)	92046-1038	1
WASHER SPRING 14MM (Ref # 13)	461F1400	1
KEY,WOODRUFF (Ref # 14)	510A4200	1
"O" RING,20MM (Ref # 15)	670B2020	1
NUT 18MM (Ref # 16)	92015-019	1
NUT 14MM (Ref # 17)	92015-043	1
WASHER-PLAIN,14MM (Ref # 18)	92022-172	1
WASHER,LOCK,18MM (Ref # 19)	92022-1231	2
COLLAR,25X32X10.5 (Ref # 20)	92143-1370	1
WOODRUFF KEY (Ref # 21)	92038-001	1
PIN,DOWEL,2.5X14.8 (Ref # 22)	92042-051	1