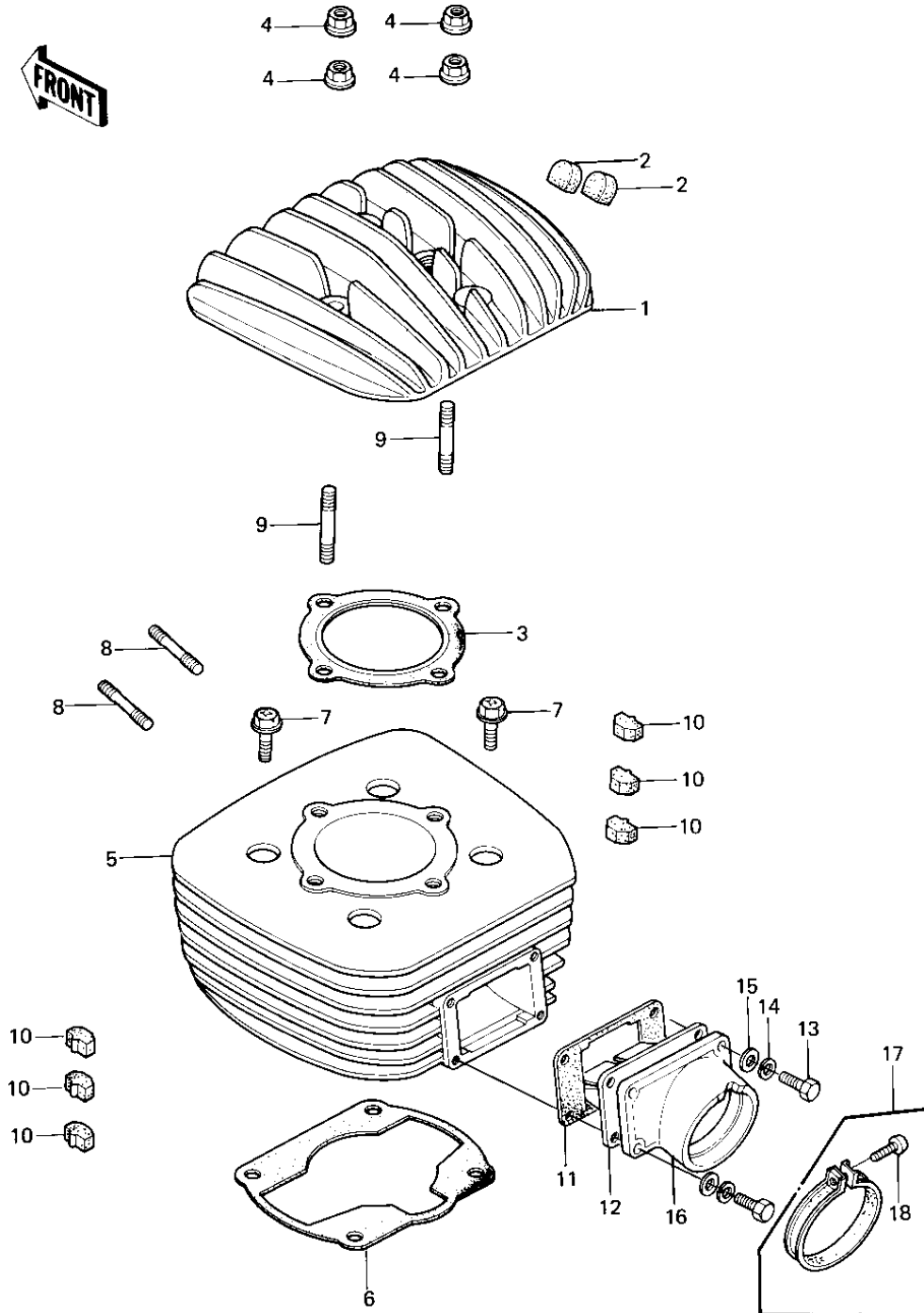


1981 KE175 PARTS DIAGRAM

CYLINDER HEAD/CYLINDER/REED VALVE ('80-)



1981 KE175 PARTS LIST

CYLINDER HEAD/CYLINDER/REED VALVE ('80-')

ITEM NAME	PART NUMBER	QUANTITY
HEAD,CYLINDER (Ref # 1)	11001-1034	1
DAMPER RUBBER (Ref # 2)	92075-1176	1
GASKET,CYLINDER HEAD (Ref # 3)	11004-1017	1
NUT,8M/M (Ref # 4)	92015-1014	1
CYLINDER (Ref # 5)	11005-1072	1
GASKET,CYLINDER BASE (Ref # 6)	11009-1060	1
BOLT,FLANGED,8X70 (Ref # 7)	131G0870	1
STUD,8X25 (Ref # 8)	92004-1008	1
STUD,8X35 (Ref # 9)	92004-1009	1
DAMPER,RUBBER (Ref # 10)	92075-304	1
GASKET,REED VALVE (Ref # 11)	11009-1109	1
VALVE ASSY,REED (Ref # 12)	12021-1005	1
BOLT-UPSET (Ref # 13)	112G0625	1
WASHER SPRING 6MM (Ref # 14)	461F0600	1
WASHER PLAIN 6MM (Ref # 15)	411B0600	1
HOLDER,CARBURETOR (Ref # 16)	16065-1025	1
CLAMP,HOLDER (Ref # 17)	92037-077	1
SCREW,PAN HEAD (Ref # 18)	92011-037	1