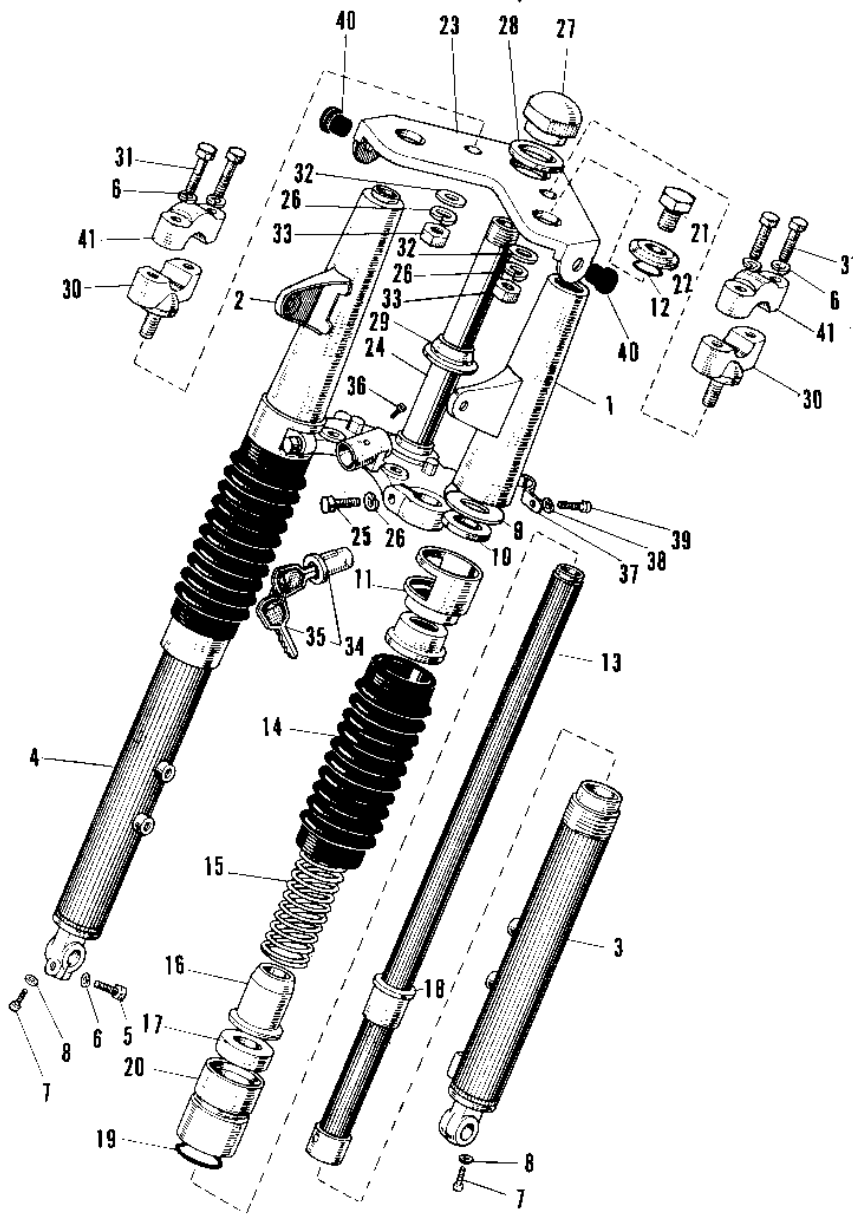


1968 Roadrunner PARTS DIAGRAM

FRONT FORK (~'68 MODEL)

F
-
1



1968 Roadrunner PARTS LIST

FRONT FORK (~'68 MODEL)

ITEM NAME	PART NUMBER	QUANTITY
FRONT FORK ASSY (Ref # 1~28)	44001-025	1
COVER L.H FORK (Ref # 1)	44033-011	1
COVER R.H FORK (Ref # 2)	44034-010	1
TUBE,LH,FORK OUTER (Ref # 3)	44005-007	1
TUBE,RH,FORK OUTER (Ref # 4)	44006-005	1
BOLT-SMALL-UPSET 8X25 (Ref # 5)	115G0825	1
WASHER SPRING 8MM (Ref # 6)	461F0800	5
SCREW PAN HEAD 4X8 (Ref # 7)	220B0408	2
SCREW PAN HEAD 4X8 (Ref # 7)	220B0408	2
GASKET FORK DRAIN PLG (Ref # 8)	44045-002	2
WASHER (Ref # 9)	44043-009	2
GASKET FORK COV GUIDE (Ref # 10)	44045-007	2
GUIDE FORK COVER (Ref # 11)	44030-001	2
GASKET INNER TUBE UPP (Ref # 12)	44046-002	2
TUBE FORK INNER (Ref # 13)	44013-008	2
COVER FORK SPRING (Ref # 14)	44027-001	2
SPRING FORK (Ref # 15)	44026-008	2
DUST SHIELD FORK (Ref # 16)	44010-015	2
OIL SEAL,FORK (Ref # 17)	44009-021	2
GUIDE FORK INNER TUBE (Ref # 18)	44015-003	2
'O' RING INN TB GUIDE (Ref # 19)	44046-003	2
NUT FORK OUTER TUBE (Ref # 20)	44007-004	2
BOLT FORK FIT 10MM (Ref # 21)	44041-003	2
WASHER FORK FITTING (Ref # 22)	44043-006	2
HEAD STEERING STEM (Ref # 23)	44039-009	1
STEM STEERING (Ref # 24)	44037-012	1
BOLT-UPSET,10X30 (Ref # 25)	112G1030	2
WASHER SPRING 10MM (Ref # 26)	461F1000	4
NUT STEERING STEM (Ref # 27)	44042-001	1

1968 Roadrunner PARTS LIST

FRONT FORK (~'68 MODEL)

ITEM NAME	PART NUMBER	QUANTITY
WASHER STEERING STEM (Ref # 28)	44043-008	1
CONE LOWER BEARING (Ref # 29)	92047-004	1
HOLDER LOWER HANDLEBAR (Ref # 30)	46010-002	2
BOLT 8X38 (Ref # 31)	92001-1405	4
WASHER HANDLE HOLDER (Ref # 32)	92022-038	2
NUT,10MM (Ref # 33)	314B1000	2
LOCK ASSY STEERING (Ref # 34)	27016-009	1
SCREW RIVET (Ref # 36)	92099-001	1
CLAMP CABLE (Ref # 37)	92037-016	1
WASHER SPRING 6MM (Ref # 38)	461F0600	1
SCREW PAN HEAD 6X12 (Ref # 39)	220B0612	1
PLUG RUBBER (Ref # 40)	92074-005	2
HOLDER UPPER HANDLEBAR (Ref # 41)	46012-004	2