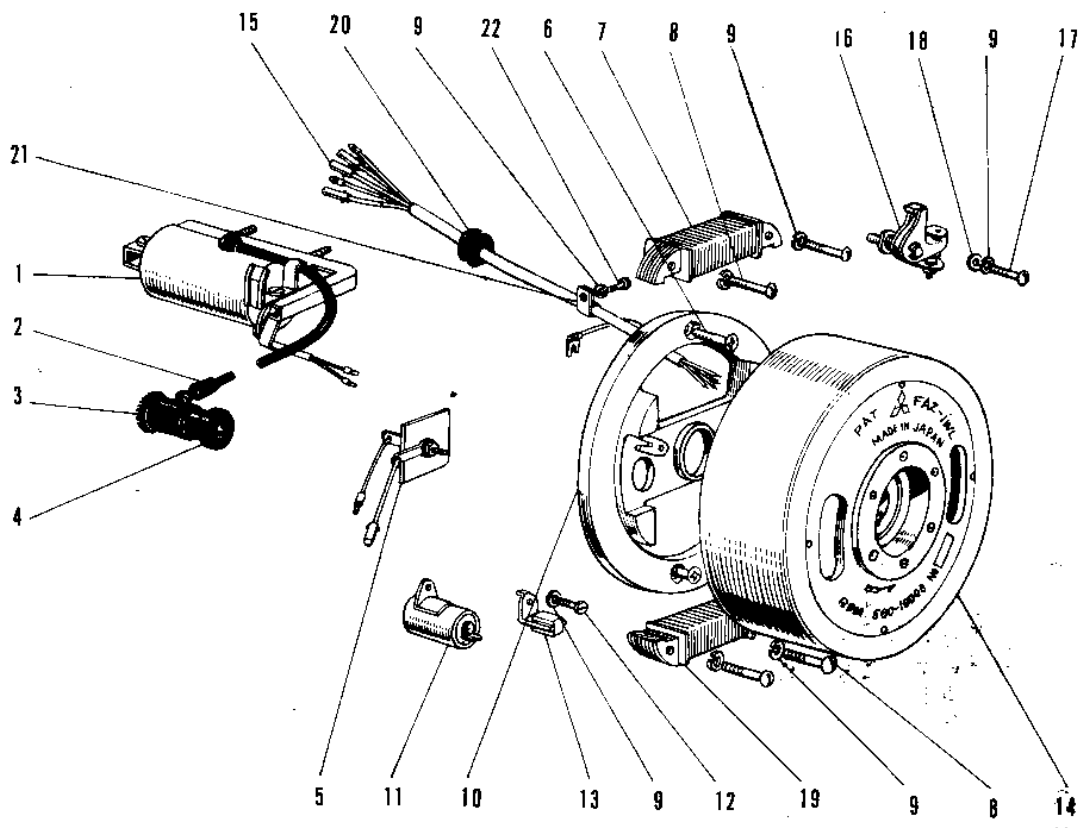


1968 Roadrunner PARTS DIAGRAM

IGNITION/GENERATOR (~ E/NO: 909149)



1968 Roadrunner PARTS LIST

IGNITION/GENERATOR (~ E/NO: 909149)

| ITEM NAME | PART NUMBER | QUANTITY |
|--|-------------|----------|
| COIL IGNITION (Ref # 1) | 21121-029 | 1 |
| GROMMET (Ref # 2) | 92071-517 | 1 |
| CAP-SPARK PLUG (Ref # 3) | 21130-016 | 1 |
| GROMMET PLUG CAP A (Ref # 4) | 21131-002 | 1 |
| RECTIFIER (Ref # 5) | 21061-5001 | 1 |
| SCREW CNTSNK HD 6X14 (Ref # 6) | 221B0614 | 1 |
| UNAVAILABLE IN PRICE BOOK (Ref # 7~22) | 211002-006 | 1 |
| COIL LIGHTING (Ref # 7) | 21047-004 | 1 |
| SCREW PAN HEAD 4X24 (Ref # 8) | 21022-003 | 1 |
| SCREW PAN HEAD 4X25 (Ref # 8) | 21022-001 | 1 |
| WASHER SPRING 4MM (Ref # 9) | 461F0400 | 1 |
| BASE MAGNETO (Ref # 10) | 21048-004 | 1 |
| CONDENSER (Ref # 11) | 21013-001 | 1 |
| SCREW PAN HEAD 4X10 (Ref # 12) | 220B0410 | 2 |
| FELT OIL (Ref # 13) | 21019-005 | 1 |
| FLYWHEEL (Ref # 14) | 21050-003 | 1 |
| WIRING HARNESS MAG (Ref # 15) | 21029-001 | 1 |
| BREAKER ASSY CONTACT (Ref # 16) | 21008-002 | 1 |
| SCREW PAN HEAD 4X12 (Ref # 17) | 21022-004 | 1 |
| SCREW-PAN-CRSOSS,4X12 (Ref # 17) | 220B0412 | 1 |
| WASHER PLAIN 4MM (Ref # 18) | 410B0400 | 1 |
| COIL PRIMARY IGNITION (Ref # 19) | 21049-003 | 1 |
| GROMMET WIRING HARN (Ref # 20) | 21017-002 | 1 |
| CLAMP WIRING HARNESS (Ref # 21) | 21037-002 | 1 |
| SCREW PAN HEAD 4X6 (Ref # 22) | 21022-010 | 1 |
| SCREW PAN HEAD 4X6 (Ref # 22) | 220B0406 | 1 |