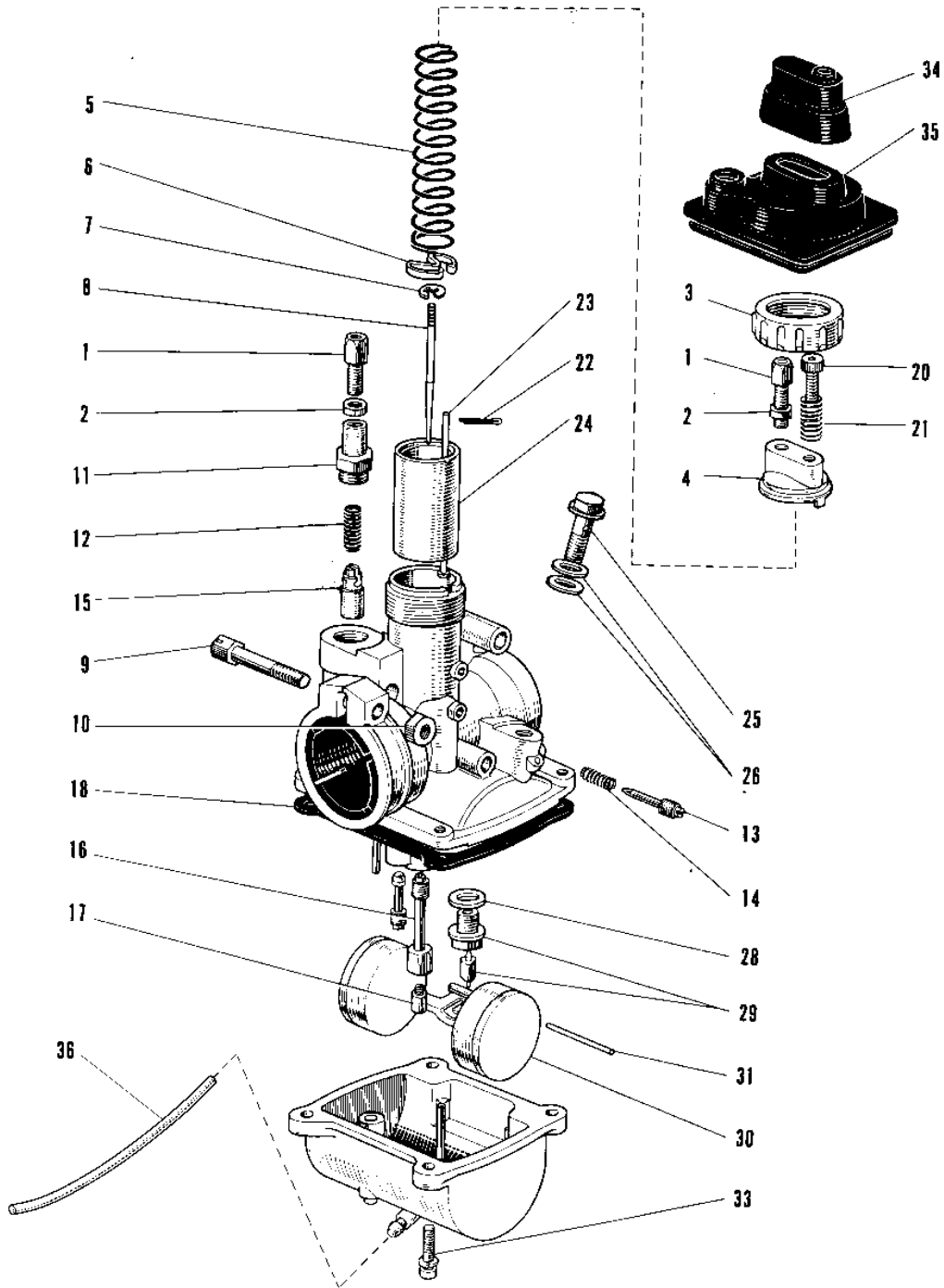


1968 Roadrunner PARTS DIAGRAM

CARBURETOR



1968 Roadrunner PARTS LIST

CARBURETOR

ITEM NAME	PART NUMBER	QUANTITY
CARBURETOR ASSY (Ref # 1~33)	16001-025	(1
CARBURETOR ASSY (Ref # 1~33)	16001-024	1
CABLE ADJUSTER (Ref # 1)	16002-002	2
NUT CABLE ADJUST LOCK (Ref # 2)	16003-004	2
CAP MIXING CHAMBER (Ref # 3)	16004-001	1
TOP MIXING CHAMBER (Ref # 4)	16005-004	1
SPRING THROTTLE VALVE (Ref # 5)	16006-003	1
SPRING SEAT THRTL VLV (Ref # 6)	16007-003	1
CIRCLIP (Ref # 7)	16008-010	1
JET NEEDLE 4J-9 (Ref # 8)	16009-009	(1
JET NEEDLE 4H7 (Ref # 8)	16009-008	1
SCREW CLAMP (Ref # 9)	16010-004	1
NUT 6MM (Ref # 10)	311B0600	(1
NUT 6MM (Ref # 10)	311B0600	1
CAP STARTER PLUNGER (Ref # 11)	16012-004	1
SPRING-PLUNGER (Ref # 12)	16013-003	1
SCREW PILOT AIR ADJUST (Ref # 13)	16014-002	1
SPRING-THR STOP SCREW (Ref # 14)	16022-007	1
PLUNGER-ENRICHNER (Ref # 15)	16016-002	1
NEEDLE JET E-4 (Ref # 16)	16017-025	(1
NEEDLE JET E-2 (Ref # 16)	16017-024	1
JET-MAIN NO 160A (Ref # 17)	92063-017	(1
JET-MAIN NO 120A (Ref # 17)	92063-013	1
GASKET FLOAT CHAMBER (Ref # 18)	16019-003	1
SCREW, THROTTLE STOP (Ref # 20)	16021-002	1
SPRING THR STOP SCREW (Ref # 21)	16022-005	1
UNAVAILABLE IN PRICE BOOK (Ref # 22)	16023-001	1
ROD-THROTTLE VLV STOP (Ref # 23)	16024-010	1
VALVE THROTTLE CA2.5 (Ref # 24)	16025-006	1

1968 Roadrunner PARTS LIST

CARBURETOR

ITEM NAME	PART NUMBER	QUANTITY
BOLT BANJO (Ref # 25)	92001-011	1
GASKET 8MM (Ref # 26)	751P0800	2
WASHER VALVE SEAT (Ref # 28)	16029-002	1
FLOAT VALVE ASSY (Ref # 29)	16030-002	(1
FLOAT VALVE ASSY (Ref # 29)	16030-009	1
FLOAT (Ref # 30)	16031-003	1
FLOAT PIN (Ref # 31)	16032-003	1
SCREW FLOAT CHAMBER (Ref # 33)	16033-002	4
SCREW FLOAT CHAMBER (Ref # 33)	16033-008	AL
SCREW-FLOAT CHAMBER (Ref # 33)	16033-012	4
GROMMET CARB CAP (Ref # 34)	14038-001	1
CAP CARBURETOR RUBBER (Ref # 35)	14038-003	1
PIPE FUEL OVERFLOW (Ref # 36)	92059-005	1