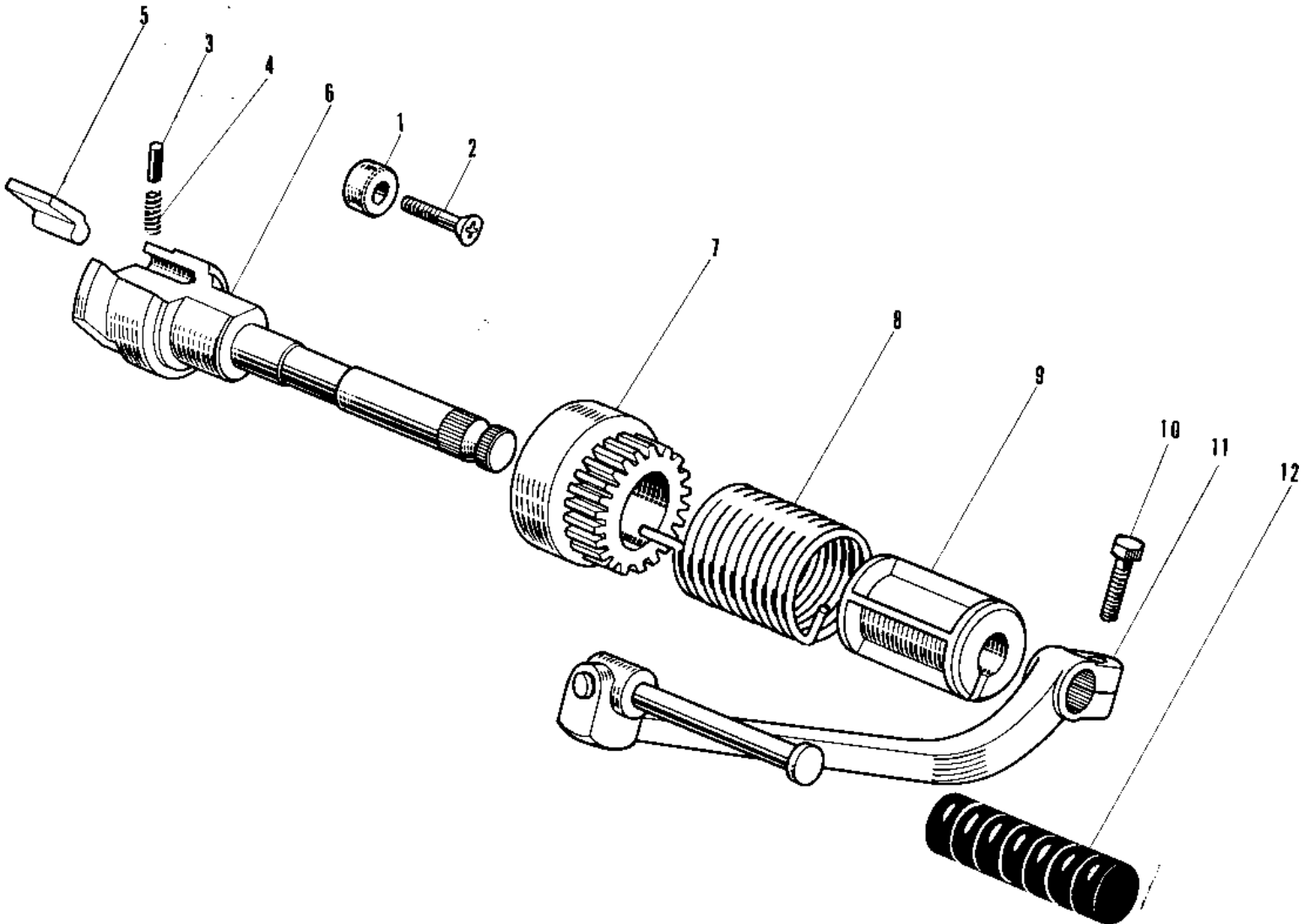


# 1969 Roadrunner PARTS DIAGRAM

## KICKSTARTER MECHANISM



# 1969 Roadrunner PARTS LIST

## KICKSTARTER MECHANISM

ITEM NAME	PART NUMBER	QUANTITY
STOPPER KICKSTARTER (Ref # 1)	13072-003	1
SCREW CNTSNK HD 6X25 (Ref # 2)	221B0625	1
PIN KICKSTARTER PAWL (Ref # 3)	92042-001	1
SPRING KICK PAWL (Ref # 4)	92081-022	1
PAWL KICKSTARTER (Ref # 5)	13069-004	1
SHAFT KICKSTARTER (Ref # 6)	13066-005	1
GEAR KICKSTARTER (Ref # 7)	13068-006	1
SPRING KICKSTARTER (Ref # 8)	92083-003	1
GUIDE KICK SPRING (Ref # 9)	13070-002	1
BOLT-SMALL-UPSET 8X25 (Ref # 10)	115G0825	1
PEDAL-KICKSTARTER (Ref # 11)	13058-039	1
RUBBER KICK PEDAL (Ref # 12)	13063-004	1