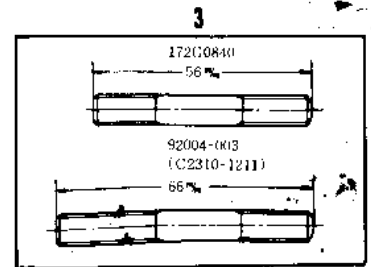
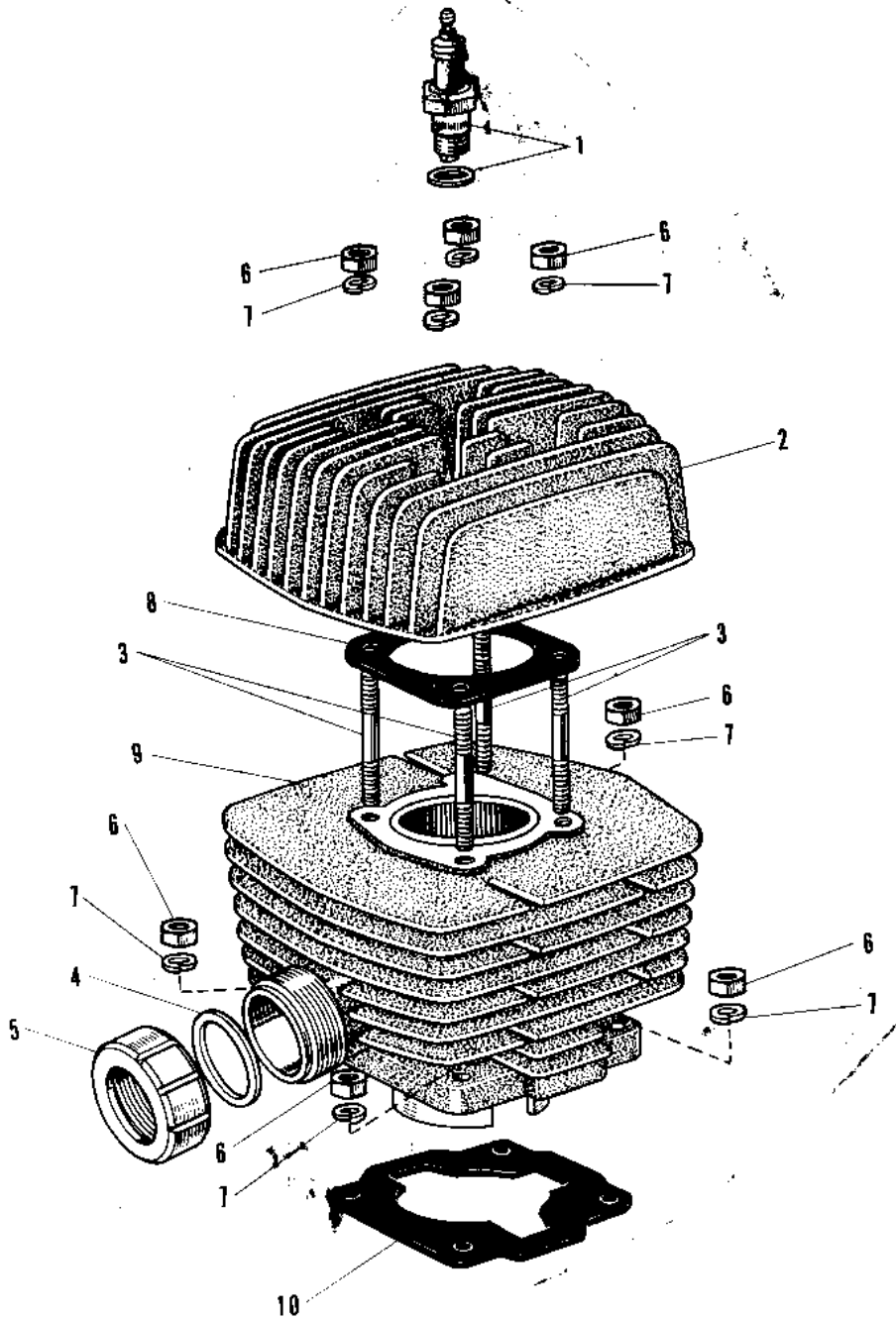


1968 Roadrunner PARTS DIAGRAM

CYLINDER HEAD/CYLINDER



1968 Roadrunner PARTS LIST

CYLINDER HEAD/CYLINDER

ITEM NAME	PART NUMBER	QUANTITY
SPARK PLUG B7HS (Ref # 1)	B7HS	1
CYLINDER HEAD (Ref # 2)	11001-004	1
STUD 8X40 (Ref # 3)	92004-003	4
GASKET,EXHAUST PIPE (Ref # 4)	11009-1992	1
CLAMP EXHAUST PIPE (Ref # 5)	18069-030	1
NUT,8MM (Ref # 6)	311B0800	8
WASHER SPRING 8MM (Ref # 7)	461F0800	8
GASKET CYLINDER HEAD (Ref # 8)	11004-013	1
CYLINDER (Ref # 9)	11005-066	1
GASKET CYLINDER BASE (Ref # 10)	11009-007	1