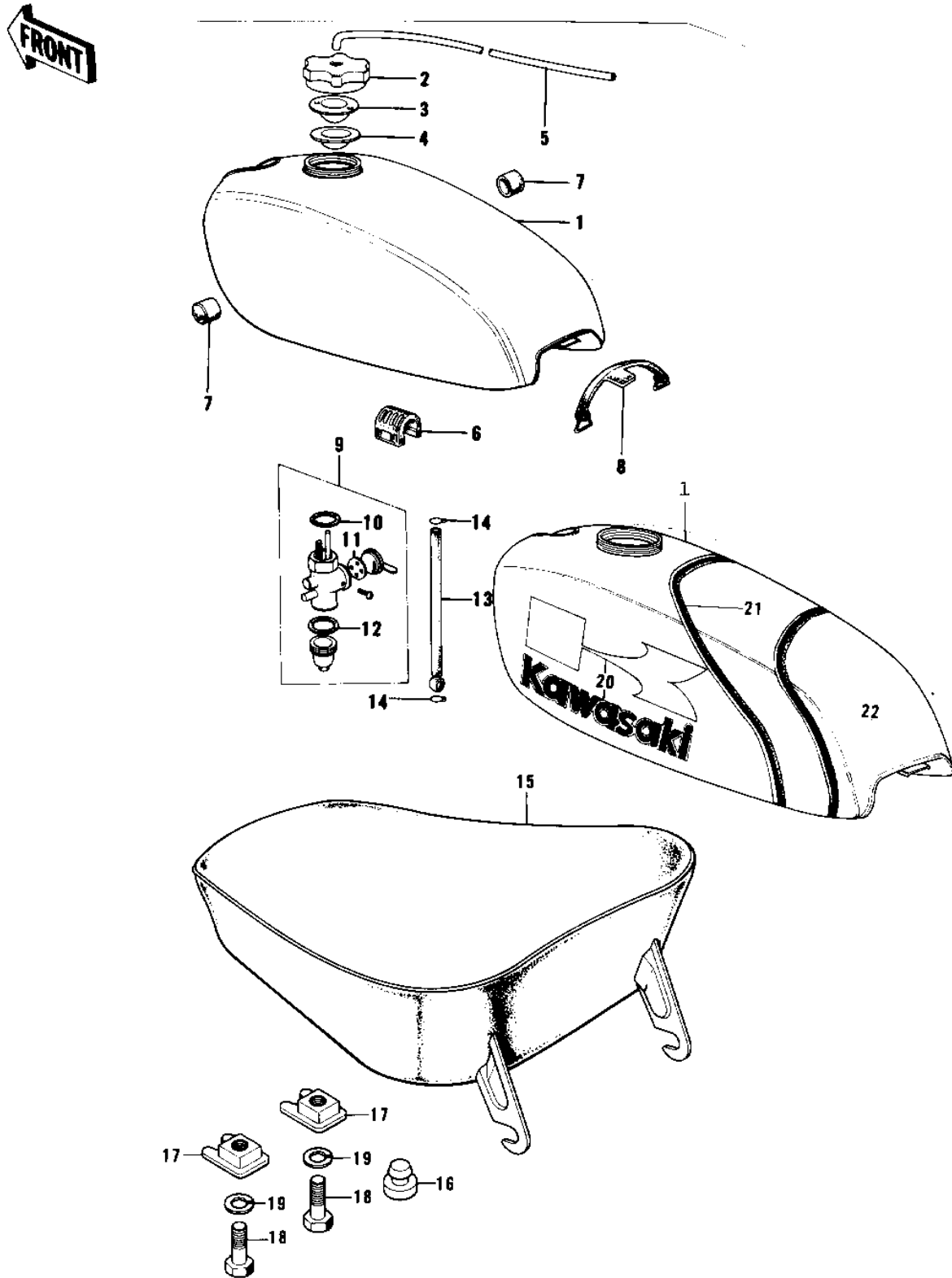


1975 KT250-A PARTS DIAGRAM

FUEL TANK/SEAT



1975 KT250-A PARTS LIST

FUEL TANK/SEAT

ITEM NAME	PART NUMBER	QUANTITY
TANK-FUEL,L.GREEN (Ref # 1)	51001-103-2G	1
TANK-FUEL,PEARL LIME (Ref # 1)	51001-103-1Y	1
CAP,FUEL TANK (Ref # 2)	51049-1002	1
WASHER,FUEL TANK CAP (Ref # 3)	51058-004	1
GASKET,FUEL TANK CAP (Ref # 4)	51059-012	1
TUBE-VINYL,5X280 (Ref # 5)	700Q05280	1
DAMPER RUBBER,FL TNK (Ref # 6)	92075-215	1
DAMPER RUBBER-FL TANK (Ref # 7)	92075-101	2
BAND-FUEL TANK (Ref # 8)	92072-036	1
TAP-ASSY,FUEL (Ref # 9)	51023-1123	1
GASKET,FUEL TAP JOINT (Ref # 10)	11009-1567	1
'O' RING FUEL COCK (Ref # 11)	92065-062	1
GASKET FUEL COCK CUP (Ref # 12)	51037-008	1
PIPE-FUEL (Ref # 13)	92059-073	1
CLAMP-PIPE (Ref # 14)	92037-072	2
SEAT-ASSY (Ref # 15)	53001-110	1
DAMPER RUBBER (Ref # 16)	92075-099	1
PLATE,SEAT (Ref # 17)	53014-004	2
BOLT HEX HEAD 8X35 (Ref # 18)	110N0835	2
WASHER SPRING 8MM (Ref # 19)	461F0800	2
DECAL,FUEL TANK (Ref # 20)	56014-063-SP	2
DECAL,FUEL TANK (Ref # 20)	56014-063-SP	2
EMBLEM,FL TNK,FRONT (Ref # 21)	56027-394	1
EMBLEM,FL TNK,REAR (Ref # 22)	56027-459	1