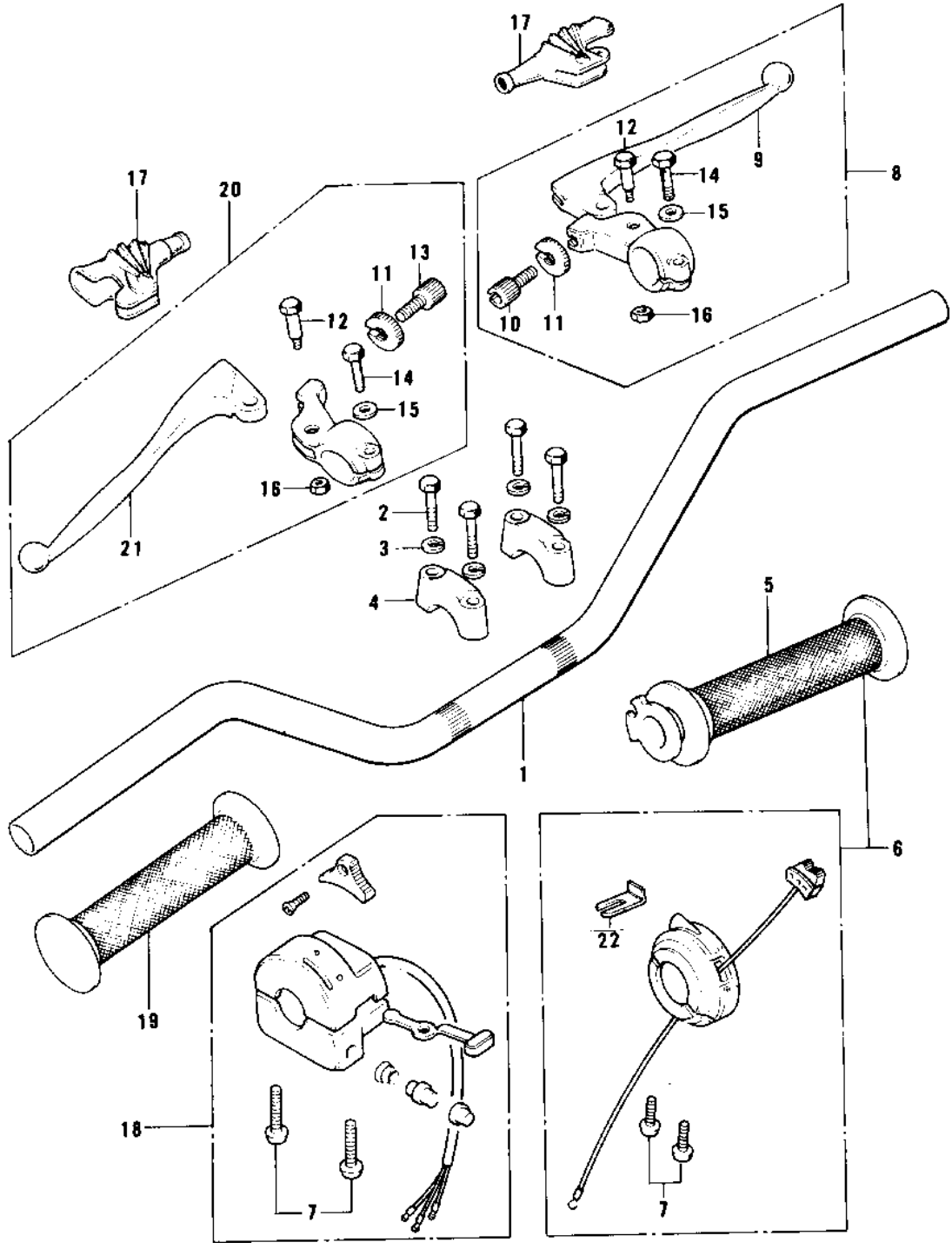


1975 KT250-A PARTS DIAGRAM

HANDLEBAR



1975 KT250-A PARTS LIST

HANDLEBAR

ITEM NAME	PART NUMBER	QUANTITY
HANDLEBAR (Ref # 1)	46004-031	1
BOLT 8X38 (Ref # 2)	92001-1405	4
WASHER SPRING 8MM (Ref # 3)	461F0800	4
HOLDER UPPER HANDLEBAR (Ref # 4)	46012-004	2
GRIP ASSY, THROTTLE (Ref # 5)	46019-036	1
CASE ASSY, R.H (Ref # 6)	46018-042	1
SCREW-PAN-CROS, 5X25 (Ref # 7)	220B0525	2
LEVER ASSY, FRNT BRAKE (Ref # 8)	46021-030	1
LEVER FRONT BRAKE (Ref # 9)	46058-004	1
SCREW, CABLE ADJUST (Ref # 10)	46055-010	1
NUT-LOCK (Ref # 11)	46056-005	2
BOLT, HEX HEAD, 5X22 (Ref # 12)	92007-046	2
SCREW CABLE ADJUST (Ref # 13)	46055-003	1
BOLT HEX HEAD 6X25 (Ref # 14)	110N0625	2
WASHER PLAIN 6MM (Ref # 15)	410B0600	2
NUT-LOCK, 5MM (Ref # 16)	92019-014	2
BOOTS, LEVER HOLDER (Ref # 17)	49006-1017	2
CASE ASSY, L.H (Ref # 18)	46091-046	1
RUBBER, L.H GRIP (Ref # 19)	46075-026	1
LEVER ASSY, CLUTCH (Ref # 20)	46076-046	1
LEVER-CLUTCH (Ref # 21)	46092-015	1
HOLDER, CONTROL CABLE (Ref # 22)	46037-023	1