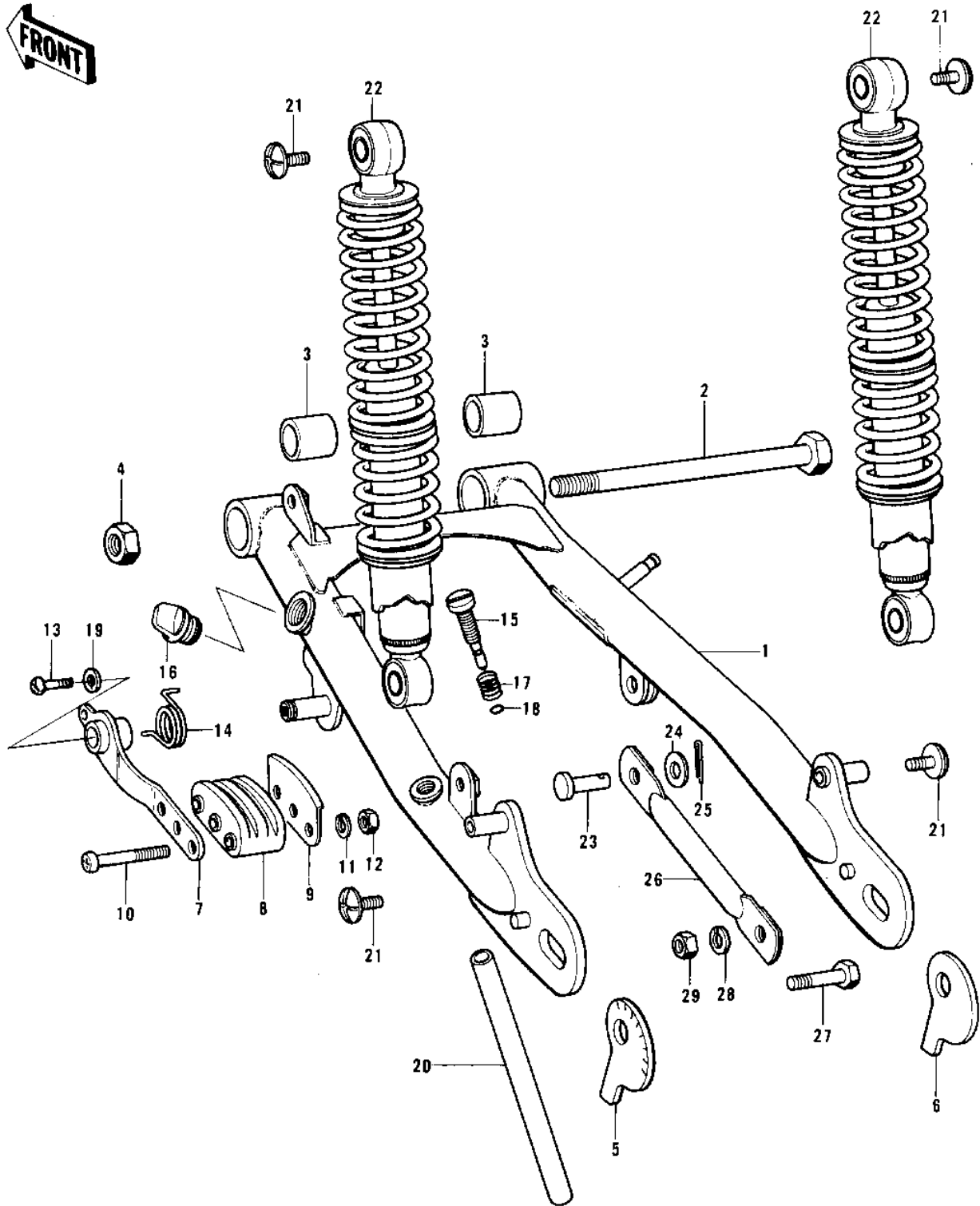


1975 KT250-A PARTS DIAGRAM

SWING ARM/SHOCK ABSORBERS



1975 KT250-A PARTS LIST

SWING ARM/SHOCK ABSORBERS

ITEM NAME	PART NUMBER	QUANTITY
ARM,SWINGING (Ref # 1)	33001-077	1
SHAFT,SWING ARM PIVOT (Ref # 2)	33032-042	1
BUSH SWING ARM SHAFT (Ref # 3)	92092-005	2
NUT-LOCK,12MM (Ref # 4)	92019-009	1
ADJUSTER,L.H CHAIN (Ref # 5)	33040-064	1
ADJUSTER,R.H CHAIN (Ref # 6)	33040-065	1
TENSIONER,CHAIN (Ref # 7)	12049-002	1
SLIPPER,CHAIN TENSION (Ref # 8)	12053-012	1
BRACKET,CHAIN TENSION (Ref # 9)	12051-002	1
SCREW PAN HEAD 6X40 (Ref # 10)	220B0640	3
WASHER SPRING 6MM (Ref # 11)	461F0600	3
NUT 6MM (Ref # 12)	311B0600	3
SCREW PAN HEAD 6X12 (Ref # 13)	220B0612	1
SPRING,RETURN (Ref # 14)	58024-003	1
BOLT,CHAIN OILER (Ref # 15)	92003-176	1
PLUG,OIL FILLER (Ref # 16)	16115-026	1
SPRING,CHAIN TENSION (Ref # 17)	55033-002	1
"O" RING,3MM (Ref # 18)	670B1503	1
WASHER 6.5X20X1.6T (Ref # 19)	92022-125	1
TUBE,CHAIN OILER (Ref # 20)	92059-116	1
BOLT,6X12 (Ref # 21)	92003-173	4
SHOCK ABSBR RR (Ref # 22)	45014-103	2
PIN,TORQUE LINK (Ref # 23)	92043-105	1
WASHER,PLAIN (Ref # 24)	92022-239	1
PIN COTTER 2.0X20 (Ref # 25)	550D2020	1
TORQUE LINK,RR BRAKE (Ref # 26)	43007-043	1
BOLT HEX HEAD 10X25 (Ref # 27)	92003-003	1
WASHER SPRING 10MM (Ref # 28)	461F1000	1
NUT,10MM (Ref # 29)	314B1000	1