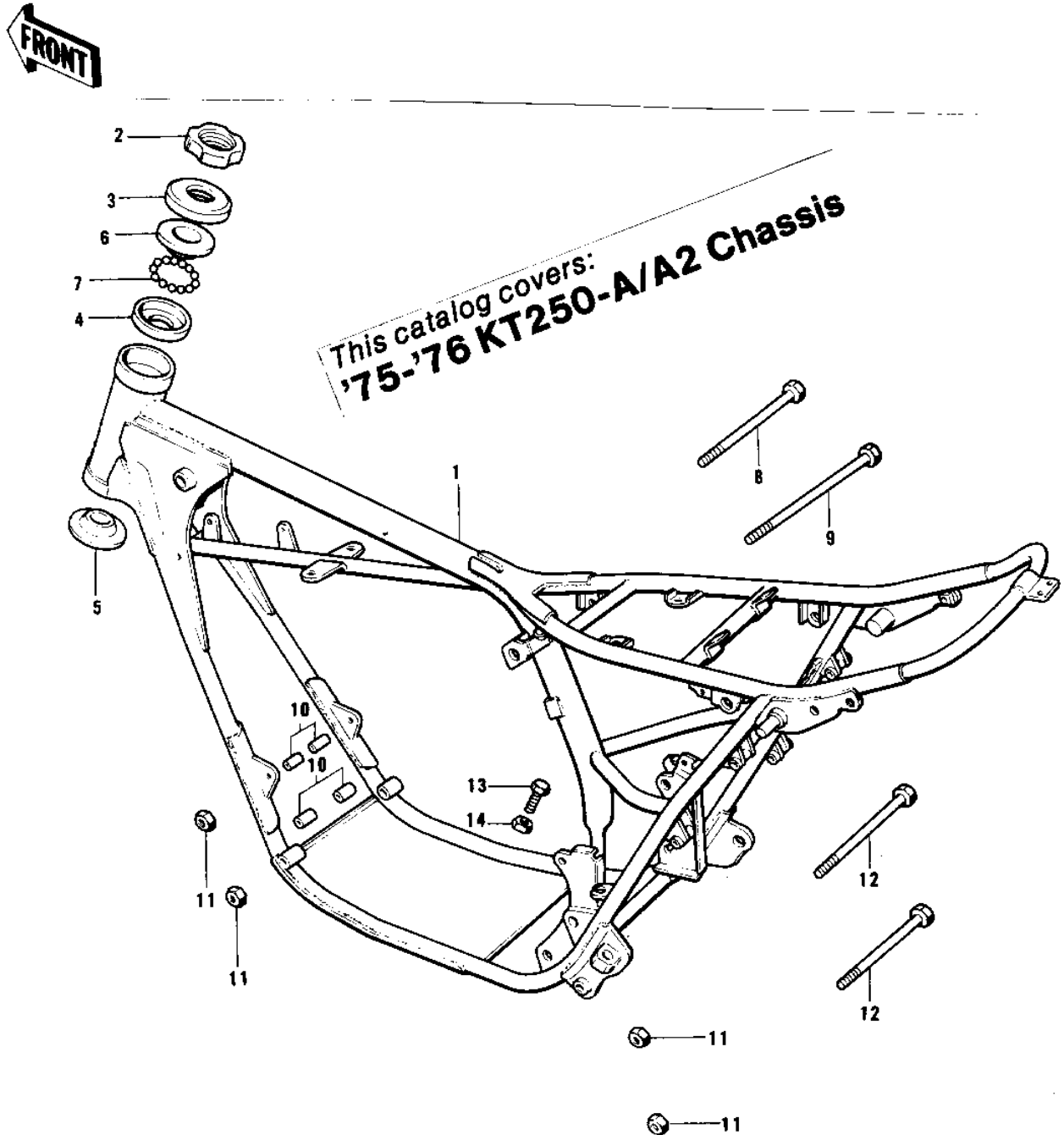


1975 KT250-A PARTS DIAGRAM

FRAME/FRAME FITTINGS



1975 KT250-A PARTS LIST

FRAME/FRAME FITTINGS

ITEM NAME	PART NUMBER	QUANTITY
FRAME (Ref # 1)	32002-108	1
NUT,STEERING STEM (Ref # 2)	92090-023	1
CAP,STEERING STEM (Ref # 3)	46098-017	1
CONE,STEERING STEM (Ref # 4)	92047-018	1
BEARING,STREERIN STEM (Ref # 5)	92047-016	1
RACE,STRNG STM BRNG (Ref # 6)	92048-008	1
BALL STEEL 1/4' (Ref # 7)	600A0800	20
BOLT,ENG MOUNT,10X138 (Ref # 8)	92003-174	1
BOLT,ENG MOUNT,10X185 (Ref # 9)	92003-175	1
COLLAR,ENGINE MOUNT (Ref # 10)	92027-237	4
NUT,10MM (Ref # 11)	92015-1429	4
BOLT (Ref # 12)	92003-133	2
BOLT-UPSET (Ref # 13)	112G0630	1
BOLT-UPSET (Ref # 13)	112G0630	AL
NUT 6MM (Ref # 14)	311B0600	1