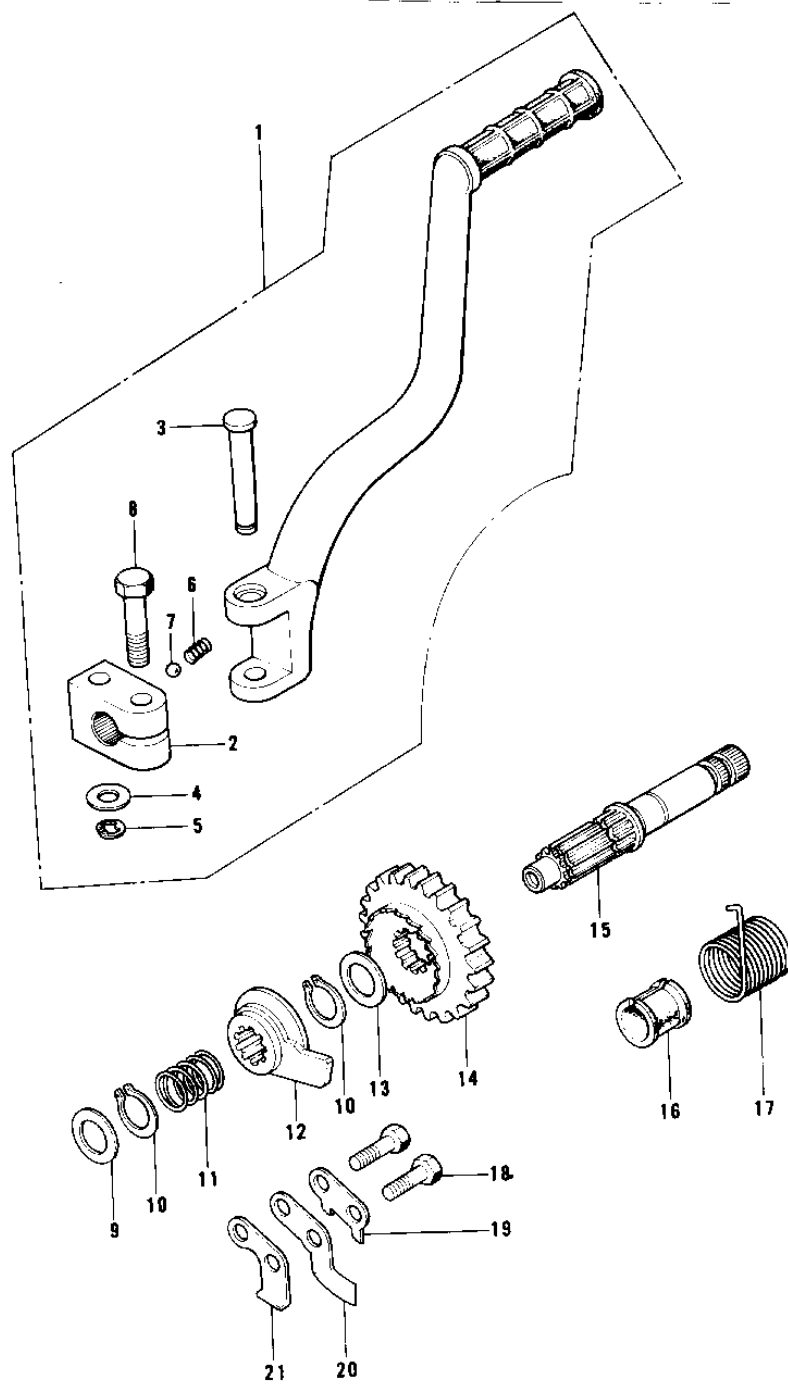


1975 KT250-A PARTS DIAGRAM

KICKSTARTER MECHANISM



1975 KT250-A PARTS LIST

KICKSTARTER MECHANISM

ITEM NAME	PART NUMBER	QUANTITY
PEDAL ASSY,KICK (Ref # 1)	13058-058	1
BOSS,KICK PEDAL (Ref # 2)	13061-023	1
PIN-KICK PEDAL (Ref # 3)	92043-081	1
WASHER PLAIN 8MM (Ref # 4)	410B0800	1
CIRCLIP 5MM (Ref # 5)	482K5000	1
SPRING KICK PEDAL (Ref # 6)	92081-020	1
BALL STEEL 1/4' (Ref # 7)	600A0800	1
BOLT,HEX HEAD,8X30 (Ref # 8)	92001-144	1
WASHER (Ref # 9)	92022-252	1
CIRCLIP (Ref # 10)	92033-026	2
SPRING (Ref # 11)	92081-097	1
RATCHET (Ref # 12)	13078-007	1
WASHER-PLAIN 25MM (Ref # 13)	92022-159	1
GEAR-KICKSTARTER (Ref # 14)	13068-025	1
SHAFT,KICKSTARTER (Ref # 15)	13066-034	1
GUIDE,KICKSTARTER (Ref # 16)	13070-007	1
SPRING-KICKSTARTER (Ref # 17)	92082-003	1
BOLT-UPSET (Ref # 18)	112G0618	2
BOLT-UPSET (Ref # 18)	112G0618	AL
WASHER,KICKSTOP GUIDE (Ref # 19)	92031-010	1
GUIDE,KICK STOPPER (Ref # 20)	13206-011	1
STOPPER,KICKSHAFT (Ref # 21)	13072-016	1