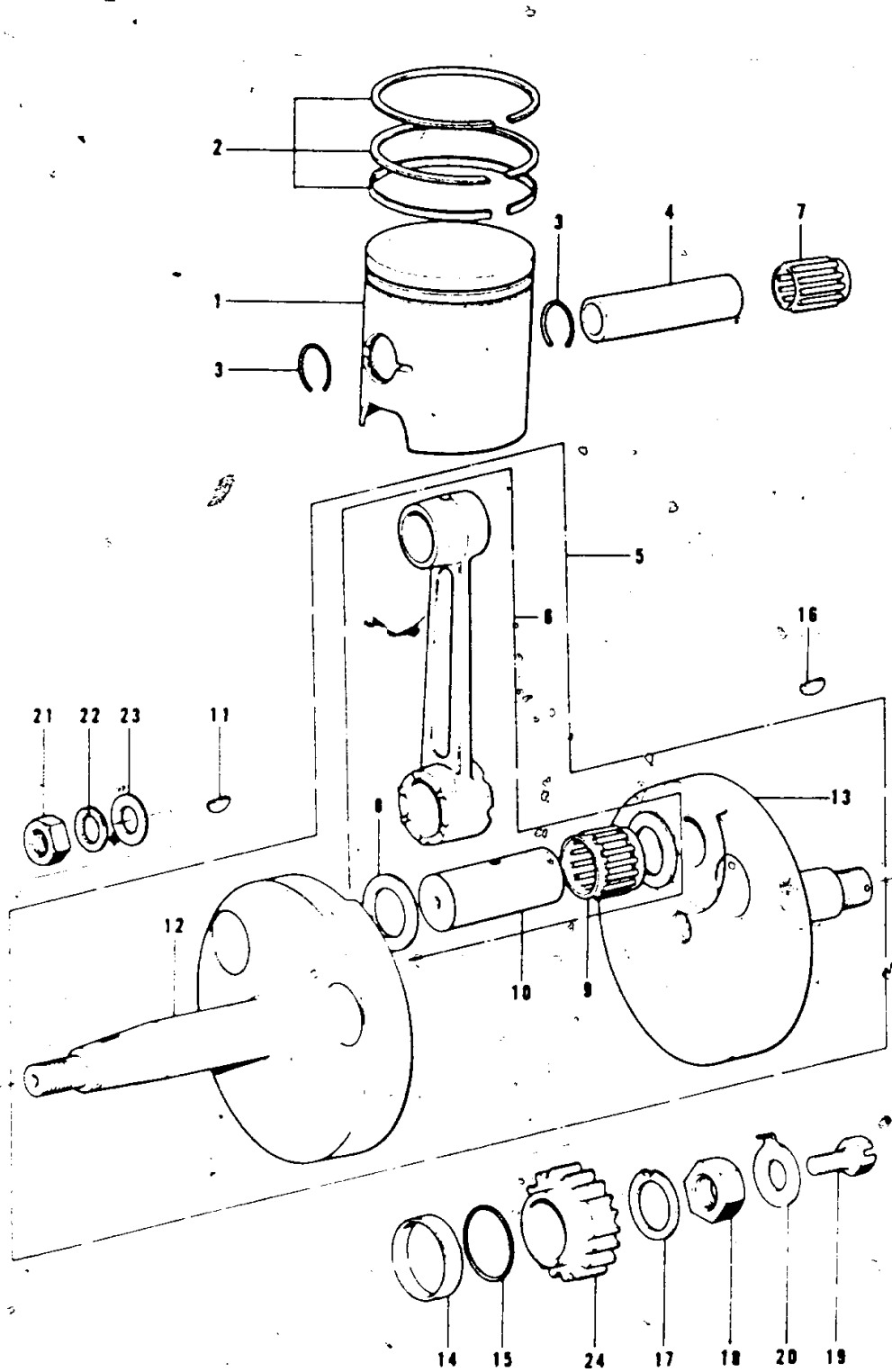


# 1975 KT250-A PARTS DIAGRAM

CRANKSHAFT/PISTON



# 1975 KT250-A PARTS LIST

## CRANKSHAFT/PISTON

ITEM NAME	PART NUMBER	QUANTITY
PISTON,STD (Ref # 1)	13001-073	1
PISTON,0.020'0/S (Ref # 1)	13029-071	OP
PISTON,0.040'0/S (Ref # 1)	13027-064	OP
RING SET,STD (Ref # 2)	13008-054	1
RING SET,0.020'0/S (Ref # 2)	13025-057	OP
RING SET,0.040'0/S (Ref # 2)	13024-057	OP
CIRCLIP-PISTON PIN (Ref # 3)	92036-015	2
PIN-PISTON (Ref # 4)	13002-017	1
PIN-PISTON (Ref # 4)	13002-017	1
CRANK&CONROD ASSY (Ref # 5)	13036-048	1
CONNECTING ROD SET (Ref # 6)	13044-037	1
BEARING-SMALL END (Ref # 7)	13033-1010	1
BEARING-SMALL END (Ref # 7)	13033-1010	1
SPACER (Ref # 8)	92026-1241	2
BEARING,BIG END NEEDL (Ref # 9)	13034-049	1
PIN,CRANK (Ref # 10)	13035-034	1
WOODRUFF KEY (Ref # 11)	92038-001	1
CRANKSHAFT,L.H (Ref # 12)	13037-066	1
CRANKSHAFT,R.H (Ref # 13)	13038-056	1
COLLAR,CRANKSHAFT (Ref # 14)	92027-212	1
"0" RING,20MM (Ref # 15)	670B2020	1
WOODRUFF KEY (Ref # 16)	510A5100	1
WASHER,LOCK (Ref # 17)	92024-068	1
NUT,LOCK,16MM (Ref # 18)	92015-072	1
BOLT,6X18 (Ref # 19)	92001-148	1
WASHER,LOCK,6MM (Ref # 20)	92024-066	1
NUT,14MM (Ref # 21)	314B1400	1
WASHER SPRING 14MM (Ref # 22)	461F1400	1
WASHER-PLAIN,14MM (Ref # 23)	92022-172	1