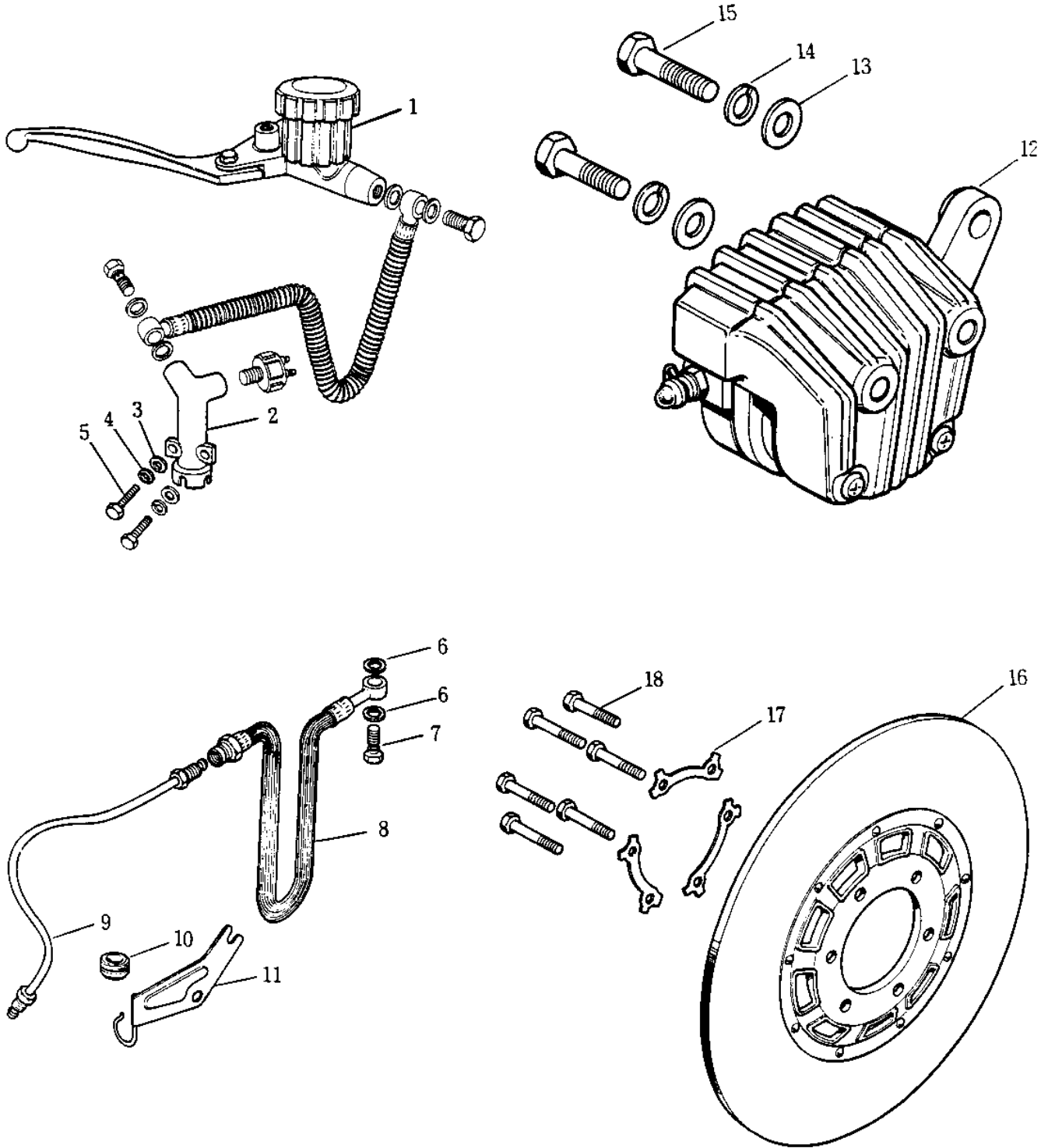


# 1970 Mach III PARTS DIAGRAM

OPTIONAL PARTS (H1-B)



**(H1)**

# 1970 Mach III PARTS LIST

## OPTIONAL PARTS (H1-B)

ITEM NAME	PART NUMBER	QUANTITY
R.H. DISC BRAKES H1/2 (Ref # 1-18)	99990-516	AR
CYLINDER ASSY,MASTER (Ref # 1)	43015-018	1
CYLINDER ASSY,MASTER (Ref # 1)	43015-018	1
JOINT-FOUR WAY (Ref # 2)	43075-001	1
WASHER PLAIN 6MM (Ref # 3)	410B0600	AR
WASHER SPRING 6MM (Ref # 4)	461F0600	AR
BOLT-HEX HEAD,6X32 (Ref # 5)	110N0632	2
WASHER-OIL BOLT (Ref # 6)	43067-001	AR
BOLT,OIL,L=23 (Ref # 7)	92002-1888	1
HOSE-BRAKE,L=350 (Ref # 8)	43059-1262	1
PIPE-FRONT BRAKE,R.H (Ref # 9)	43060-002	1
GROMMET-HOSE BRACKET (Ref # 10)	43064-001	AR
BRACKET-BRAKE HOSE (Ref # 11)	43063-003	1
CALIPER ASSY,R.H (Ref # 12)	43041-002	1
WASHER PLAIN 10MM (Ref # 13)	410B1000	AR
WASHER SPRING 10MM (Ref # 14)	461F1000	AR
BOLT-HEX HEAD,10X43 (Ref # 15)	43070-001	2
DISC PLATE-FRONT BRK (Ref # 16)	41080-001	1
WASHER-LOCK,8MM (Ref # 17)	92088-014	3
BOLT-HEX HEAD,8X28 (Ref # 18)	92001-104	6
REPAIR ASY,MASTER CYL (Ref # 18)	43073-005	AR