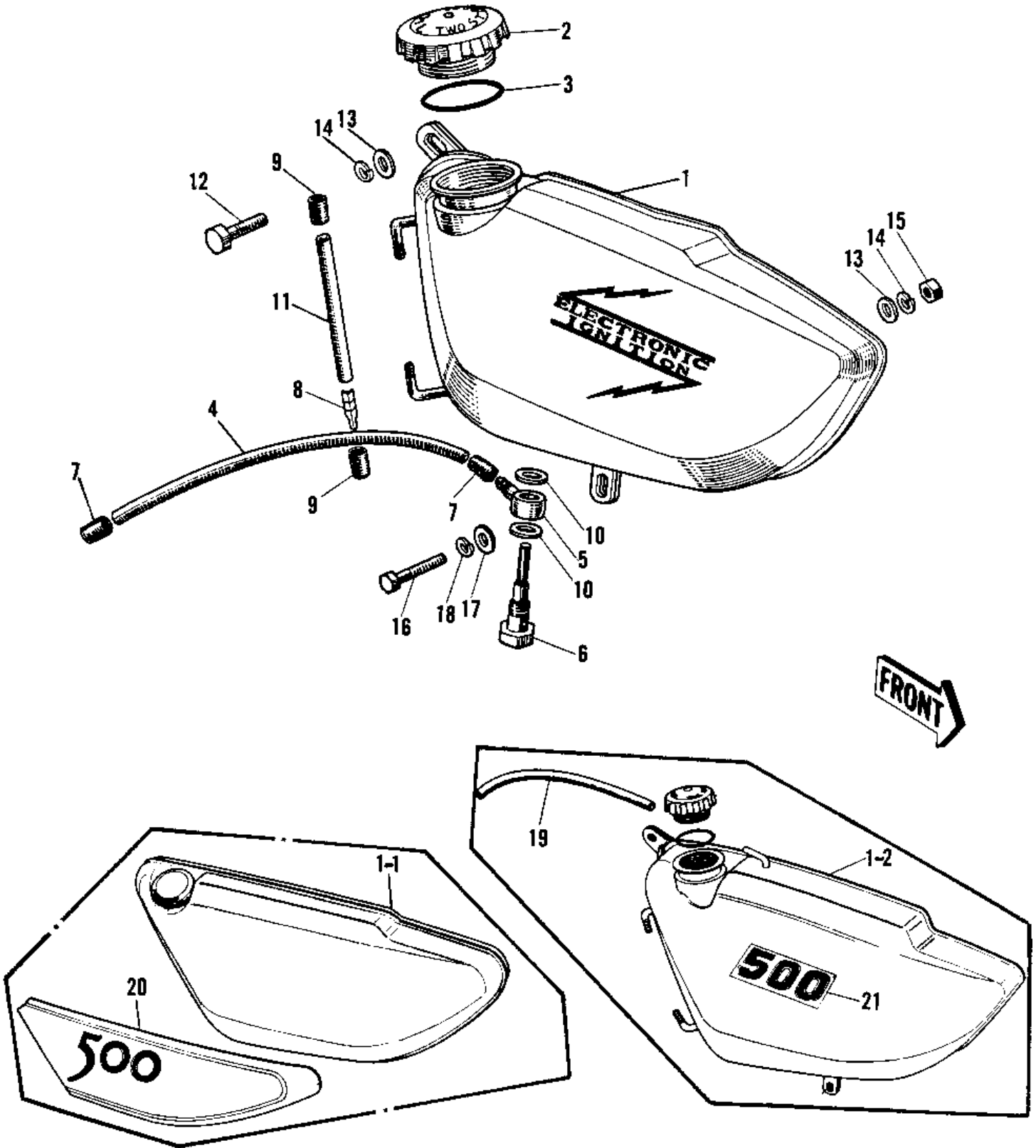


# 1974 H1-E PARTS DIAGRAM

OIL TANK ('69-'72 H1/A/B/C)



# 1974 H1-E PARTS LIST

## OIL TANK ('69-'72 H1/A/B/C)

| ITEM NAME                        | PART NUMBER  | QUANTITY |
|----------------------------------|--------------|----------|
| TANK OIL WHITE (Ref # 1)         | 52001-015-19 | 1        |
| TANK-OIL,C.RED (Ref # 1)         | 52001-028-24 | 1        |
| TANK-OIL,C.RED (Ref # 1)         | 52001-028-24 | 1        |
| TANK-OIL,P.GRAY (Ref # 1)        | 52001-028-47 | 1        |
| TANK-OIL,C.BLUE (Ref # 1-1)      | 52001-015-58 | 1        |
| TANK-OIL,P.C.ORANGE (Ref # 1-2)  | 52001-028-67 | 1        |
| CAP OIL TANK (Ref # 2)           | 52003-009    | 1        |
| CAP OIL TANK (Ref # 2)           | 52003-009    | 1        |
| "0" RING,36MM (Ref # 3)          | 670B3036     | 1        |
| PIPE OIL TANK (Ref # 4)          | 92059-021    | 1        |
| CONNECTOR BANJO (Ref # 5)        | 92061-003    | 1        |
| BOLT OIL TANK BANJO (Ref # 6)    | 92060-001    | 1        |
| SPRING PIPE CLAMP B (Ref # 7)    | 92081-027    | 2        |
| GAUGE OIL LEVEL (Ref # 8)        | 52005-004    | 1        |
| CLAMP OIL LEVEL PIPE (Ref # 9)   | 92037-040    | 2        |
| GASKET,10,2X15X1.5T (Ref # 10)   | 11009-1146   | 2        |
| GASKET,10,2X15X1.5T (Ref # 10)   | 11009-1146   | 2        |
| TUBE-VINYL 6X95 (Ref # 11)       | 700Q0695     | 2        |
| BOLT-SMALL-UPSET,8X18 (Ref # 12) | 115G0818     | 1        |
| WASHER PLAIN 8MM (Ref # 13)      | 411B0800     | 2        |
| WASHER SPRING 8MM (Ref # 14)     | 461F0800     | 2        |
| NUT,8MM (Ref # 15)               | 311B0800     | 1        |
| BOLT-UPSET (Ref # 16)            | 112G0660     | 1        |
| WASHER PLAIN 6MM (Ref # 17)      | 411B0600     | 1        |
| WASHER SPRING 6MM (Ref # 18)     | 461F0600     | 1        |
| TUBE-VINYL 5X470 (Ref # 19)      | 700Q05470    | 1        |
| EMBLEM-OIL TANK (Ref # 20)       | 56018-037    | 1        |
| EMBLEM-SIDE COVER (Ref # 21)     | 56018-098    | 1        |