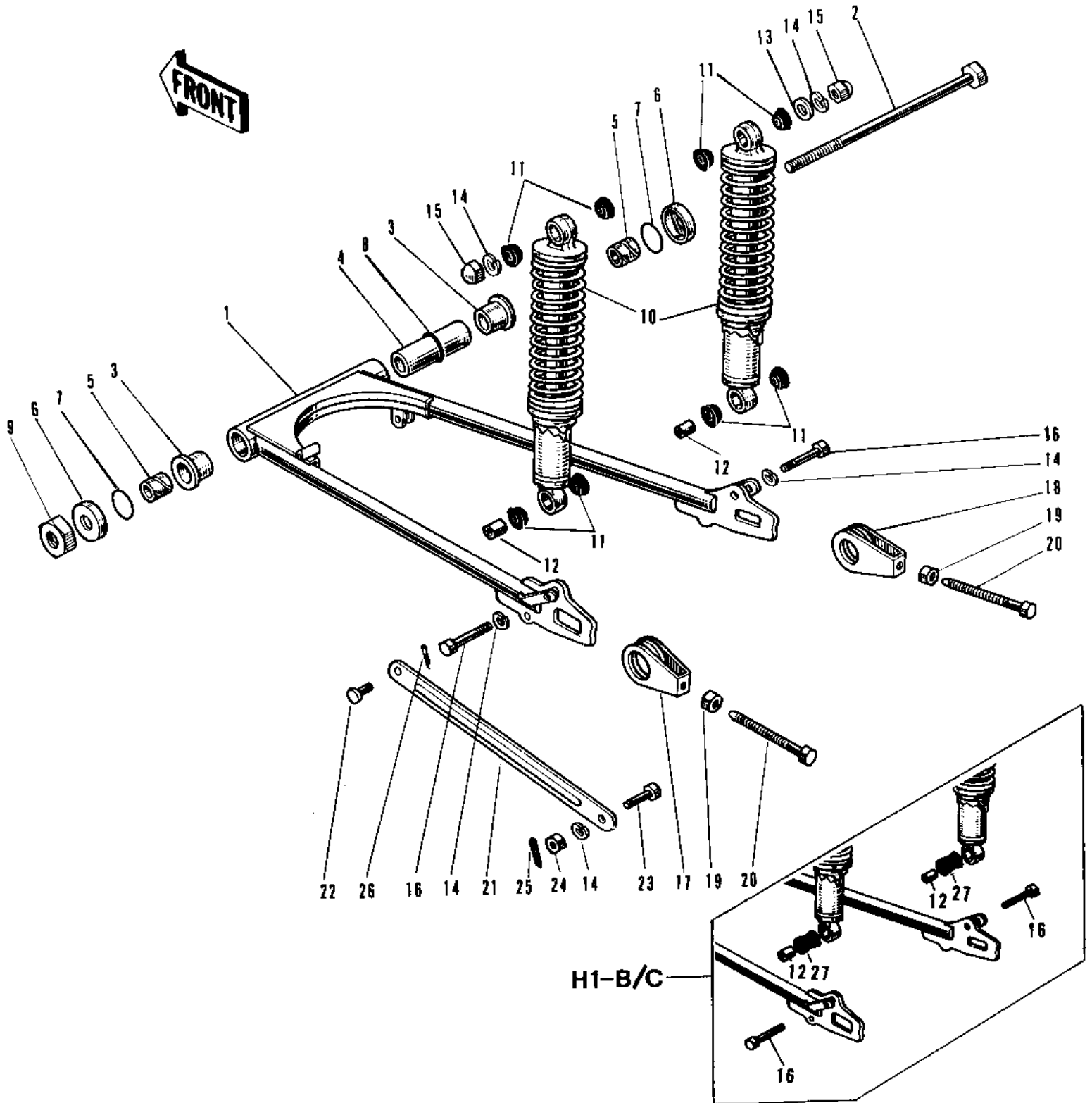


1974 H1-E PARTS DIAGRAM

SWING ARM/SHOCK ABSORBERS ('69-'72 H1/A/)



1974 H1-E PARTS LIST

SWING ARM/SHOCK ABSORBERS ('69-'72 H1/A/

ITEM NAME	PART NUMBER	QUANTITY
ARM SWING (Ref # 1)	33001-016	1
ARM-SWINGING (Ref # 1)	33001-040	1
SHAFT SWING ARM PIVOT (Ref # 2)	33032-020	1
SHAFT-SWING ARM PIVOT (Ref # 2)	33032-038	1
SHAFT-SWING ARM PIVOT (Ref # 2)	33032-038	1
BUSHING-SWING ARM (Ref # 3)	33033-009	2
SLEEVE SWING ARM LONG (Ref # 4)	33034-008	1
SLEEVE SWING ARM (Ref # 5)	33034-009	2
CAP,SWING ARM (Ref # 6)	33035-007	2
CAP,SWING ARM (Ref # 6)	33035-007	2
"0" RING,30MM (Ref # 7)	671B2530	2
"0" RING,21MM (Ref # 8)	670B2021	1
NUT-SELF LOCKING (Ref # 9)	92019-012	1
NUT-SELF LOCKING (Ref # 9)	92019-012	1
SHOCK ABSBR RR (Ref # 10)	45014-056	2
BUSH SHCK ABS RUBBER (Ref # 11)	45017-001	8
BUSH SHCK ABS RUBBER (Ref # 11)	45017-001	4
BUSH SHCK ABS PVT SFT (Ref # 12)	45016-003	2
BUSH-SHCK.ABS.PVT.SFT (Ref # 12)	45016-005	2
WASHER-PL-10.5X26X2.3 (Ref # 13)	92022-044	1
WASHER SPRING 10MM (Ref # 14)	461F1000	5
WASHER SPRING 10MM (Ref # 14)	461F1000	3
NUT SHOCK ABSORBER (Ref # 15)	92020-003	2
BOLT HEX HEAD 10X35 (Ref # 16)	113N1035	2
BOLT-HEX HEAD,10X35 (Ref # 16)	92003-083	2
ADJUSTER CHAIN L.H (Ref # 17)	33040-028	1
ADJUSTER CHAIN R.H (Ref # 18)	33040-029	1
NUT 8MM (Ref # 19)	312B0800	2
BOLT,8X50 (Ref # 20)	92001-1399	2

1974 H1-E PARTS LIST

SWING ARM/SHOCK ABSORBERS ('69-'72 H1/A/

ITEM NAME	PART NUMBER	QUANTITY
TORQUE LINK REAR BRK (Ref # 21)	43007-016	1
PIN REAR TORQUE LINK (Ref # 22)	43009-001	1
BOLT HEX HEAD 10MM (Ref # 23)	92003-034	1
NUT CASTLE 10MM (Ref # 24)	321B1000	1
PIN COTTER 2.0X15 (Ref # 25)	550D2015	1
PIN,SNAP (Ref # 25)	554A0800	1
PIN COTTER 2.5X20 (Ref # 26)	550D2520	1
BUSHING,SHCK ABS RUB (Ref # 27)	45017-018	2