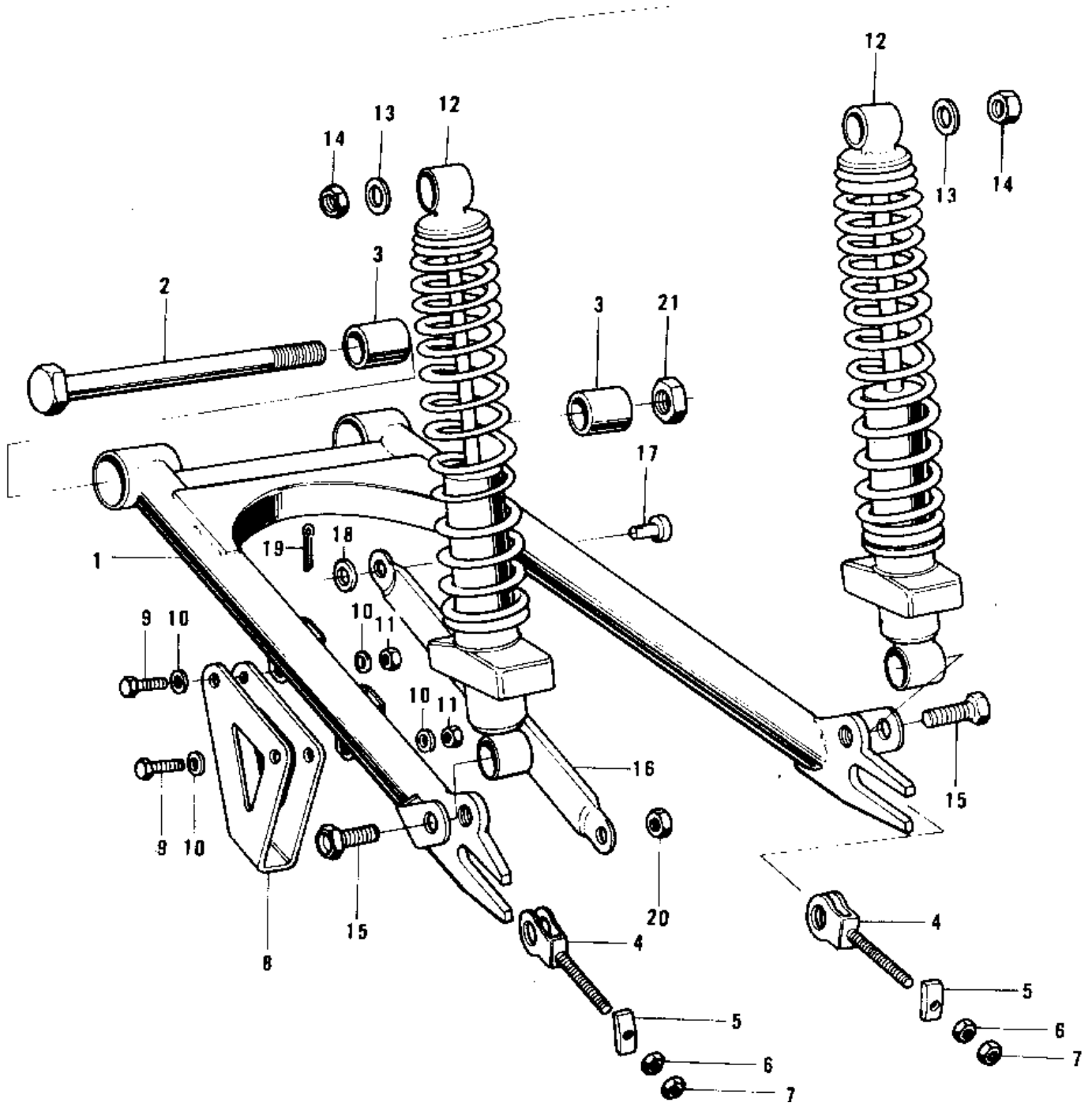


1974 KX450 PARTS DIAGRAM

SWING ARM/SHOCK ABSORBERS ('74 KX 450)



1974 KX450 PARTS LIST

SWING ARM/SHOCK ABSORBERS (74 KX 450)

ITEM NAME	PART NUMBER	QUANTITY
ARM,SWINGING (Ref # 1)	33001-069	1
SHAFT,SWING ARM PIVO (Ref # 2)	33032-042	1
BUSHING,SWING ARM (Ref # 3)	33033-012	2
ADJUSTER,CHAIN (Ref # 4)	33040-055	2
PLATE-CHAIN ADJUSTER (Ref # 5)	33041-002	2
NUT 8MM (Ref # 6)	311G0800	2
NUT,8MM (Ref # 7)	92019-018	2
GUARD,CHAIN (Ref # 8)	55020-015	1
BOLT,HEX HEAD,6X50 (Ref # 9)	110G0650	2
WASHER 6.5X20X1.6T (Ref # 10)	92022-125	4
NUT,6MM (Ref # 11)	92019-019	2
SHOCK ABSBR RR (Ref # 12)	45014-087	2
WASHER-PL-10.5X26X2. (Ref # 13)	92022-044	2
NUT,10MM (Ref # 14)	92019-016	2
BOLT,HEX HEAD,12X35 (Ref # 15)	92001-133	2
TORQUE LINK,RR BRAKE (Ref # 16)	43007-040	1
PIN,TORQUE LINK (Ref # 17)	92043-105	1
WASHER,PLAIN (Ref # 18)	92022-239	1
PIN COTTER 2.0X20 (Ref # 19)	550D2020	1
NUT,10MM (Ref # 20)	92019-016	1
NUT,12MM (Ref # 21)	92019-017	1