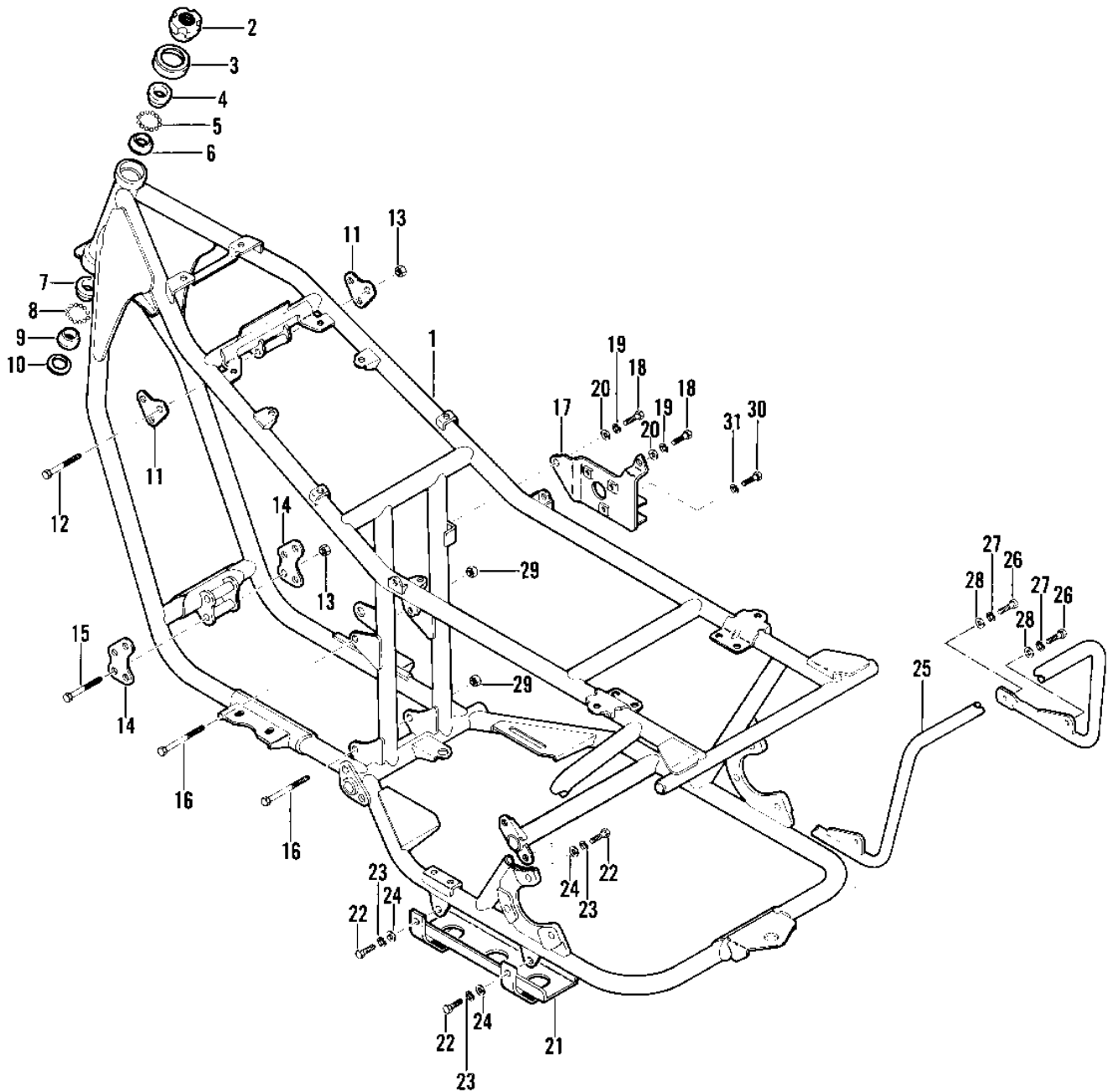


1982 KLT250 PARTS DIAGRAM

FRAME/FRAME FITTINGS ('82 A1)



101

1982 KLT250 PARTS LIST

FRAME/FRAME FITTINGS ('82 A1)

ITEM NAME	PART NUMBER	QUANTITY
FRAME-COMP (Ref # 1)	32002-4009	1
NUT,STEERING STEM (Ref # 2)	92015-4007	1
CAP,STEERING STEM (Ref # 3)	46098-012	1
CONE,STRG STM BRG,UP (Ref # 4)	92047-014	1
BALL STEEL 3/16' (Ref # 5)	600A0600	23
RACE,STRG STM BEARING (Ref # 6)	92048-009	1
RACE STEERING BEARING (Ref # 7)	92048-005	1
BALL STEEL 1/4' (Ref # 8)	600A0800	19
CONE STERNG BERG LOW (Ref # 9)	92047-010	1
SEAL,STEERING STEM (Ref # 10)	44010-027	1
BRACKET-ENGINE (Ref # 11)	32029-4023	2
BOLT-8X63 (Ref # 12)	92001-1397	3
NUT,LOCK,8MM (Ref # 13)	92015-1124	7
BRACKET-ENGINE (Ref # 14)	32029-4022	2
BOLT-FLANGE (Ref # 15)	92001-1582	4
BOLT, FLANGED, 10X110 (Ref # 16)	92001-1602	2
BRACKET (Ref # 17)	11034-4100	1
BOLT-UPSET,6X12 (Ref # 18)	112G0612	2
WASHER SPRING 6MM (Ref # 19)	461F0600	2
WASHER PLAIN 6MM (Ref # 20)	411B0600	2
GUARD (Ref # 21)	55020-4016	1
BOLT,8X20 (Ref # 22)	115G0820	3
WASHER SPRING 8MM (Ref # 23)	461F0800	3
WASHER PLAIN 8MM (Ref # 24)	410B0800	3
GUARD,REAR (Ref # 25)	55020-4015	1
BOLT,8X20 (Ref # 26)	115G0820	4
WASHER SPRING 8MM (Ref # 27)	461F0800	4
WASHER PLAIN 8MM (Ref # 28)	410B0800	4
NUT,LOCK,10MM (Ref # 29)	92019-021	2