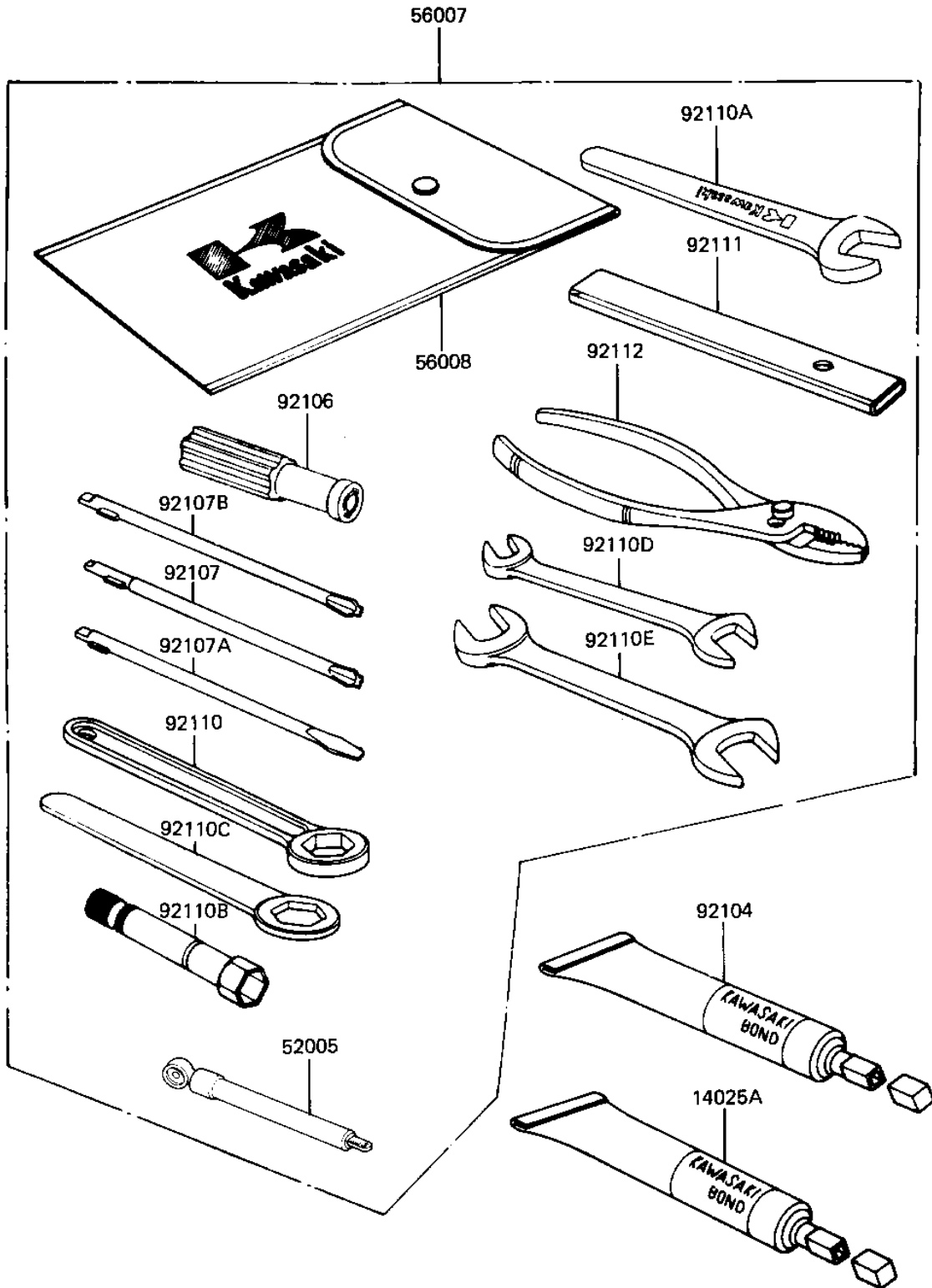


# 1981 GPz PARTS DIAGRAM

OWNER TOOLS

F2810-0028



# 1981 GPz PARTS LIST

## OWNER TOOLS

ITEM NAME	PART NUMBER	QUANTITY
BOND,#10 (Ref # 14025A)	56019-120	1
GAUGE,AIR,3.5KG/CM2 (Ref # 52005)	52005-1031	1
TOOL KIT (Ref # 56007)	56007-1070	1
BAG,TOOL (Ref # 56008)	56008-009	1
LIQUID GASKET (Ref # 92104)	92104-002	1
GRIP,SCREW DRIVER (Ref # 92106)	92106-1001	1
TOOL-DRIVER (Ref # 92107)	92107-1052	1
WRENCH,OPEN END,19M/M (Ref # 92107A)	92110-1004	1
92107-1002 (Canada) (Ref # 92107B)	92107-008	1
TOOL-WRENCH,BOX END,2 (Ref # 92110)	92110-1147	1
WRENCH,OPEN END,19M/M (Ref # 92110A)	92110-1004	1
WRENCH,SPARK PLUG (Ref # 92110B)	92110-1018	1
TOOL-WRENCH,BOX END,2 (Ref # 92110C)	92110-1148	1
TOOL-WRENCH,OPEN END (Ref # 92110D)	92110-1038	1
TOOL-WRENCH,OPEN END, (Ref # 92110E)	92110-1153	1
TOOL-WRENCH,OPEN END, (Ref # 92111)	92111-004	1
PLIERS,160MM (Ref # 92112)	92112-003	1