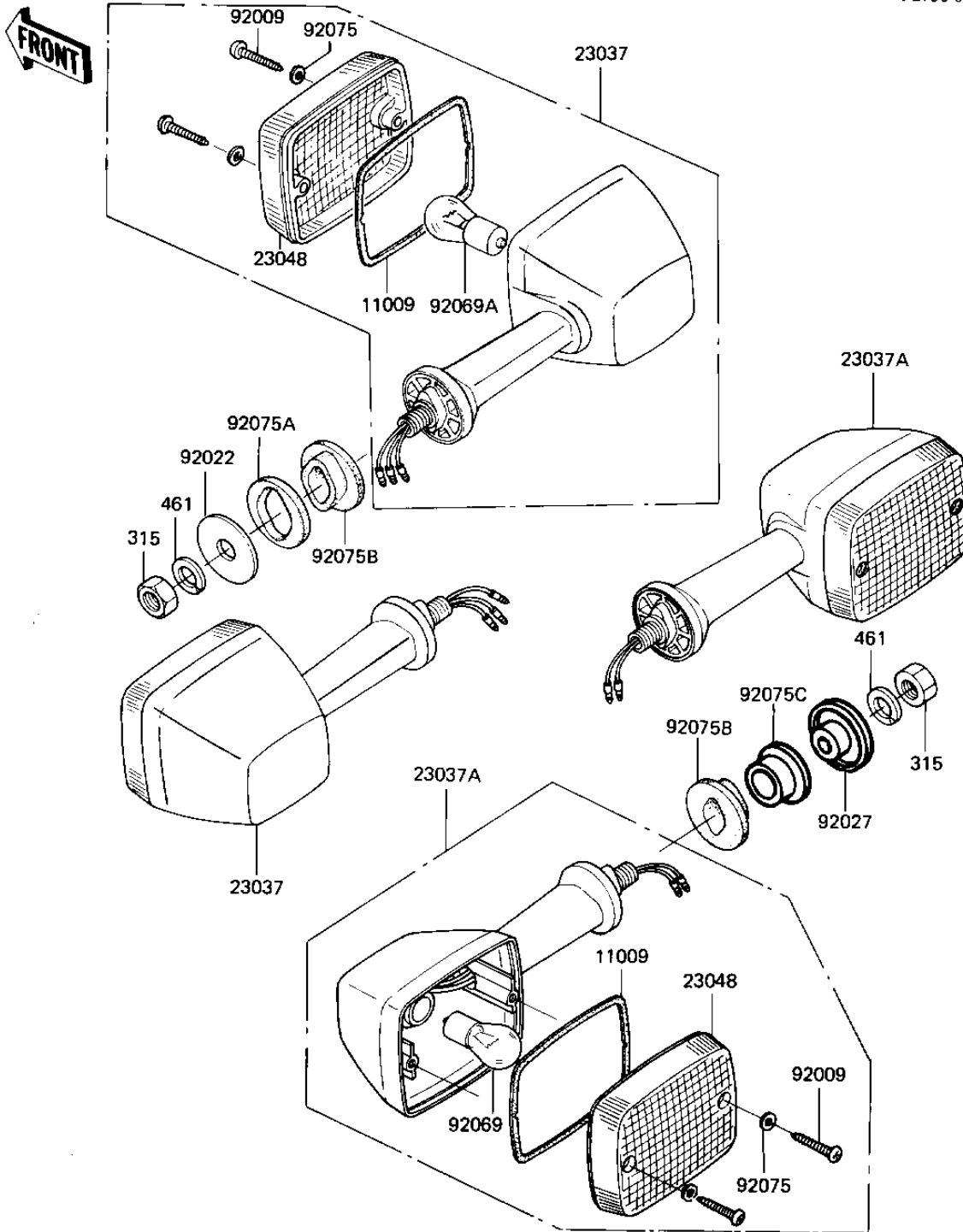


# 1981 GPz PARTS DIAGRAM

## TURN SIGNALS

F2730-0035



# 1981 GPz PARTS LIST

## TURN SIGNALS

ITEM NAME	PART NUMBER	QUANTITY
GASKET,SIGNAL LAMP (Ref # 11009)	11009-1150	4
LAMP-ASSY-SIGNAL,FR (Ref # 23037)	23037-1131	2
LAMP-ASSY-SIGNAL,RR (Ref # 23037A)	23037-1113	2
LENS-SIGNAL LAMP (Ref # 23048)	23048-1019	4
SCREW,TAPPING,4X25 (Ref # 92009)	92009-1069	8
WASHER,10.5X37X1.6 (Ref # 92022)	92022-1246	2
COLLAR (Ref # 92027)	92027-147	2
BULB 12V 32CP (Ref # 92069)	92069-055	2
BULB,12V 23/8W (Ref # 92069A)	92069-060	2
WASHER-PLAIN,4MM (Ref # 92075)	23058-002	8
DAMPER,SIGNAL LAMP BR (Ref # 92075A)	92075-1278	2
DAMPER,SIGNAL LAMP BR (Ref # 92075B)	92075-1279	4
DAMPER RUBBER,SIG LM (Ref # 92075C)	92075-158	2
NUT 10MM (Ref # 315)	315B1000	4
WASHER SPRING 10MM (Ref # 461)	461F1000	4