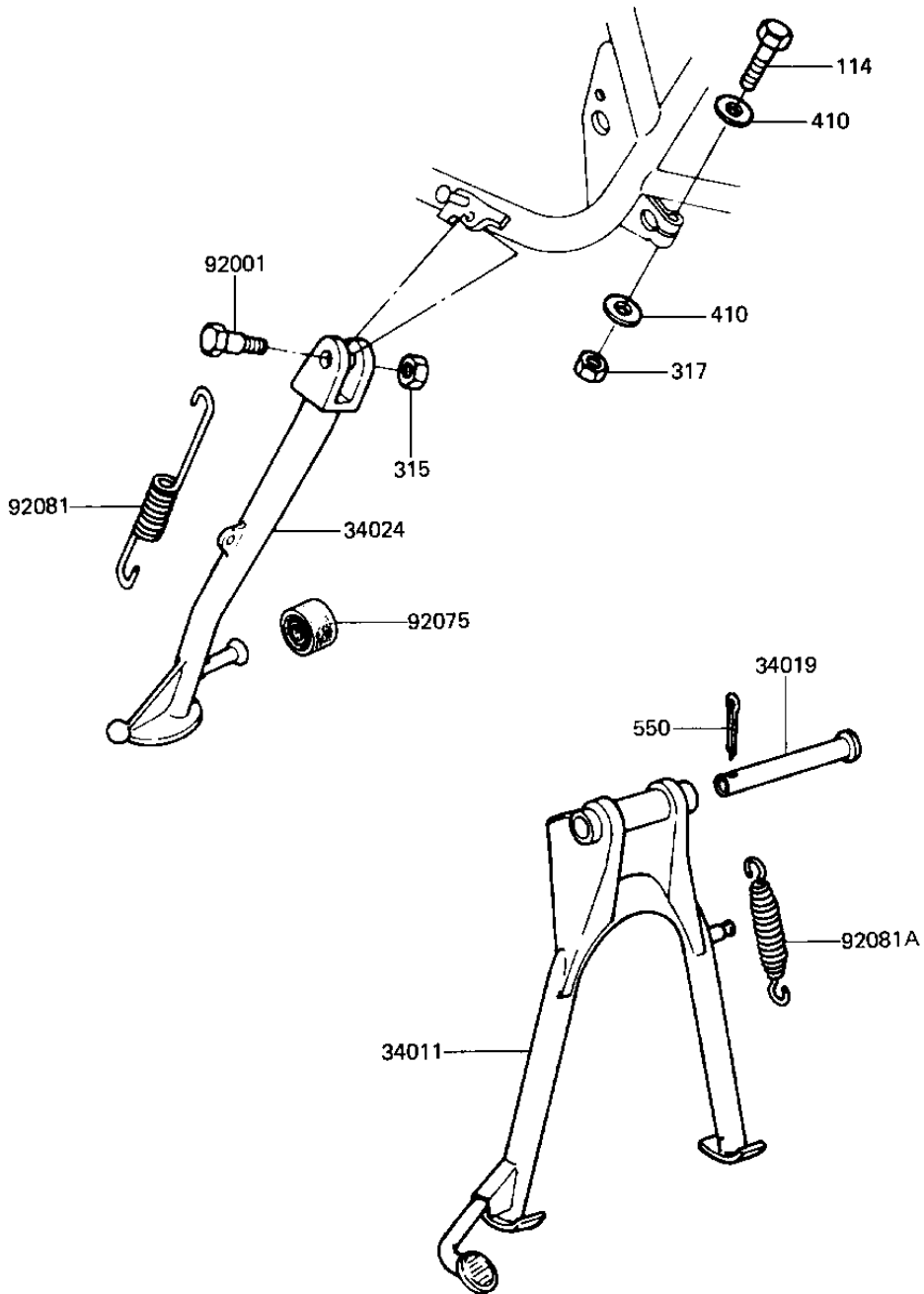


# 1981 GPz PARTS DIAGRAM

STANDS

F2190-0039



# 1981 GPz PARTS LIST

## STANDS

ITEM NAME	PART NUMBER	QUANTITY
STAND-MAIN (Ref # 34011)	34011-1010	1
SHAFT,MAIN STAND (Ref # 34019)	34019-016	1
STAND-SIDE (Ref # 34024)	34024-1036	1
BOLT-SIDE STAND (Ref # 92001)	92003-079	1
DAMPER RUBB SIDE STND (Ref # 92075)	92075-031	1
SPRING,SIDE STAND (Ref # 92081)	34025-005	1
SPRING,MAIN STAND,R.H (Ref # 92081A)	92081-1145	1
BOLT,8X40 (Ref # 114)	115G0840	2
NUT 10MM (Ref # 315)	315B1000	1
NUT,8M/M (Ref # 317)	317B0800	2
WASHER PLAIN 8MM (Ref # 410)	410B0800	4
PIN COTTER 3.0X30 (Ref # 550)	550D3030	1