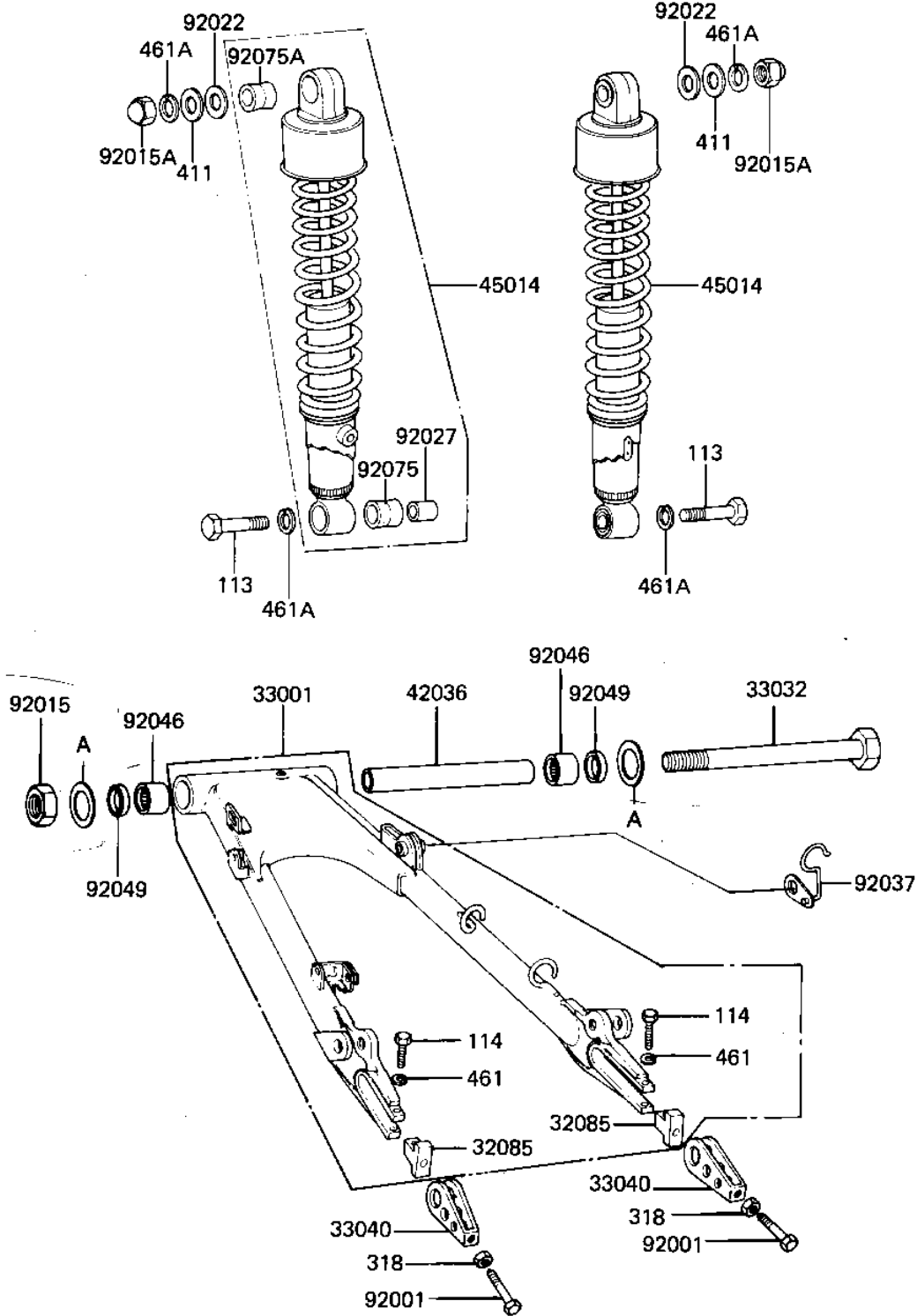


1981 GPz PARTS DIAGRAM

SWING ARM/SHOCK ABSORBERS

F2140-0036



1981 GPz PARTS LIST

SWING ARM/SHOCK ABSORBERS

ITEM NAME	PART NUMBER	QUANTITY
STOPPER,CHAIN ADJUST (Ref # 32085)	33044-002	2
ARM-COMP-SWING (Ref # 33001)	33001-1111	1
SHAFT,SWING ARM (Ref # 33032)	33032-1004	1
ADJUSTER,CHAIN (Ref # 33040)	33040-056	2
SLEEVE,SWING ARM (Ref # 42036)	42036-1018	1
SHOCK ABSBR RR (Ref # 45014)	45014-1133	2
BOLT,8X50 (Ref # 92001)	92001-1399	2
NUT-LOCK,14MM (Ref # 92015)	92019-011	1
NUT SHOCK ABSORBER (Ref # 92015A)	92020-003	2
WASHER-PLN,10X22X3.2 (Ref # 92022)	92022-176	2
BUSHING,SHOCK ABSORB (Ref # 92027)	45016-008	2
CLAMP,BRAKE HOSE,RR (Ref # 92037)	92037-1274	1
BEARING-NEEDLE,HK2216 (Ref # 92046)	92046-1115	2
OIL SEAL,MHA22284 (Ref # 92049)	92049-1059	2
BUSHING, SHCK ABS RUB (Ref # 92075)	45017-012	2
BUSHING,SHCK ABS RUB (Ref # 92075A)	45017-015	2
BOLT HEX HEAD 10X35 (Ref # 113)	113N1035	2
BOLT,SMALL UPSET (Ref # 114)	115G0835	2
NUT 8MM (Ref # 318)	318B0800	2
WASHER PLAIN 10MM (Ref # 411)	411B1000	2
WASHER SPRING 8MM (Ref # 461)	461F0800	2
WASHER SPRING 10MM (Ref # 461A)	461F1000	4
SHIM,SWING ARM,34X0.5 (Ref # A)	92025-1228	AR