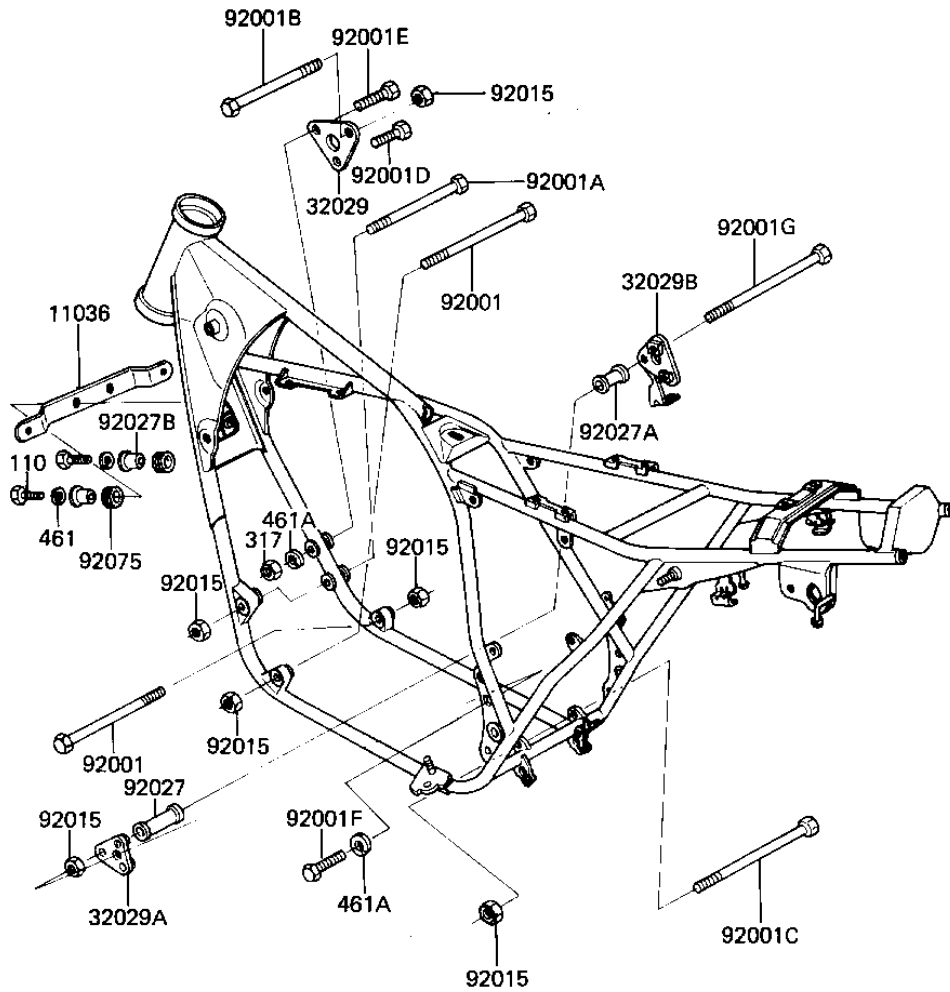


1981 GPz PARTS DIAGRAM

FRAME FITTINGS

F2131-0043



1981 GPz PARTS LIST

FRAME FITTINGS

ITEM NAME	PART NUMBER	QUANTITY
BRACKET,OIL COOLER (Ref # 11036)	11036-1168	1
BRACKET,ENGINE (Ref # 32029)	32029-1048	1
BRACKET,ENGINE (Ref # 32029A)	32029-1049	1
BRACKET-ENGINE,RR,RH (Ref # 32029B)	32029-1157	1
BOLT,HEX HEAD,10X84 (Ref # 92001)	92001-1048	2
BOLT,HEX HEAD,10X72 (Ref # 92001A)	92001-1049	1
BOLT,FLANGED,10X60 (Ref # 92001B)	92001-1599	1
BOLT,FLANGED,10X60 (Ref # 92001C)	92001-1599	1
BOLT,FLANGED,8X60 (Ref # 92001D)	92001-1581	1
BOLT-FLANGE (Ref # 92001E)	92001-1582	1
BOLT (Ref # 92001F)	92001-1578	4
BOLT,FLANGED,10X255 (Ref # 92001G)	92001-1609	1
NUT,10MM (Ref # 92015)	92019-021	6
COLLAR,L=57.5M/M (Ref # 92027)	92027-1109	1
COLLAR,L=37M/M (Ref # 92027A)	92027-1110	1
COLLAR (Ref # 92027B)	92027-194	2
DAMPER RUBBER (Ref # 92075)	92075-277	2
BOLT-UPSET (Ref # 110)	112G0625	2
NUT,8M/M (Ref # 317)	317B0800	2
WASHER SPRING 6MM (Ref # 461)	461F0600	2
WASHER SPRING 8MM (Ref # 461A)	461F0800	6