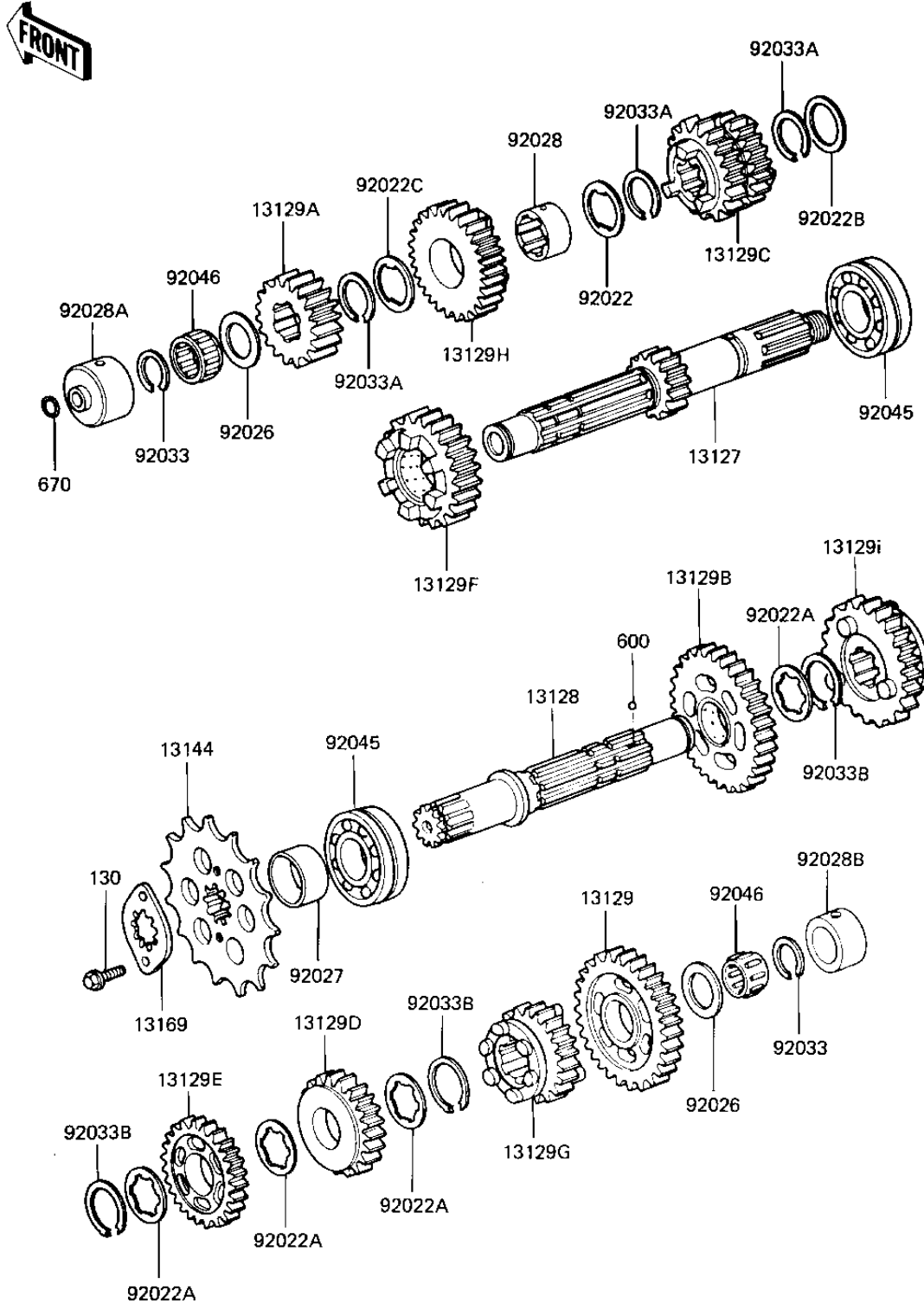


# 1981 GPz PARTS DIAGRAM

## TRANSMISSION

E:361-0013



# 1981 GPz PARTS LIST

## TRANSMISSION

ITEM NAME	PART NUMBER	QUANTITY
SHAFT,DRIVE,14T (Ref # 13127)	13127-1008	1
SHAFT,OUTPUT (Ref # 13128)	13128-1009	1
LOW GEAR,OUTPUT,36T (Ref # 13129)	13129-1076	1
2ND GEAR,DRIVE SHAFT (Ref # 13129A)	13129-1077	1
2ND GEAR,OUTPUT,32T (Ref # 13129B)	13129-1078	1
GEAR INPUT 3RD&4TH,21 (Ref # 13129C)	13260-1195	1
3RD GEAR,OUTPUT,29T (Ref # 13129D)	13129-1080	1
4TH GEAR,OUTPUT,27T (Ref # 13129E)	13129-1081	1
5TH GEAR,DRIVE SHAFT (Ref # 13129F)	13129-1082	1
5TH GEAR,OUTPUT,25T (Ref # 13129G)	13129-1083	1
GEAR,INPUT TOP,27T (Ref # 13129H)	13129-1658	1
GEAR,OUTPUT TOP,23T (Ref # 13129I)	13129-1662	1
SPROCKET,ENGINE,16T (Ref # 13144)	13144-1016	1
PLATE,SPROCKET (Ref # 13169)	13270-1060	1
WASHER,LOCK,30X1.0T (Ref # 92022)	92022-1072	1
WASHER,LOCK,1.0T (Ref # 92022A)	92022-1139	4
WASHER PLAIN (Ref # 92022B)	92022-161	1
WASHER-LOCK (Ref # 92022C)	92024-033	1
SPACER,20.3X30X2T (Ref # 92026)	92026-1022	2
COLLAR,25X32X23.5L (Ref # 92027)	92027-1106	1
BUSHING,INPUT TOP GEA (Ref # 92028)	92028-1552	1
BUSHING,DRIVE SHAFT (Ref # 92028A)	92028-1032	1
BUSHING,OUTPUT SHAFT (Ref # 92028B)	92028-180	1
CIRCLIP (Ref # 92033)	92033-015	2
CIRCLIP (Ref # 92033A)	92033-026	3
SNAP RING,25.9X1.2T (Ref # 92033B)	92033-1037	3
BEARING,BALL (Ref # 92045)	92045-035	2
BEARING,VS20/14A (Ref # 92046)	92046-1030	2
BOLT,FLANGED,6X12 (Ref # 130)	130G0612	2

# 1981 GPz PARTS LIST

## TRANSMISSION

ITEM NAME	PART NUMBER	QUANTITY
BALL STEEL 5/32' (Ref # 600)	600A0500	3
"O" RING,8MM (Ref # 670)	670B1508	1