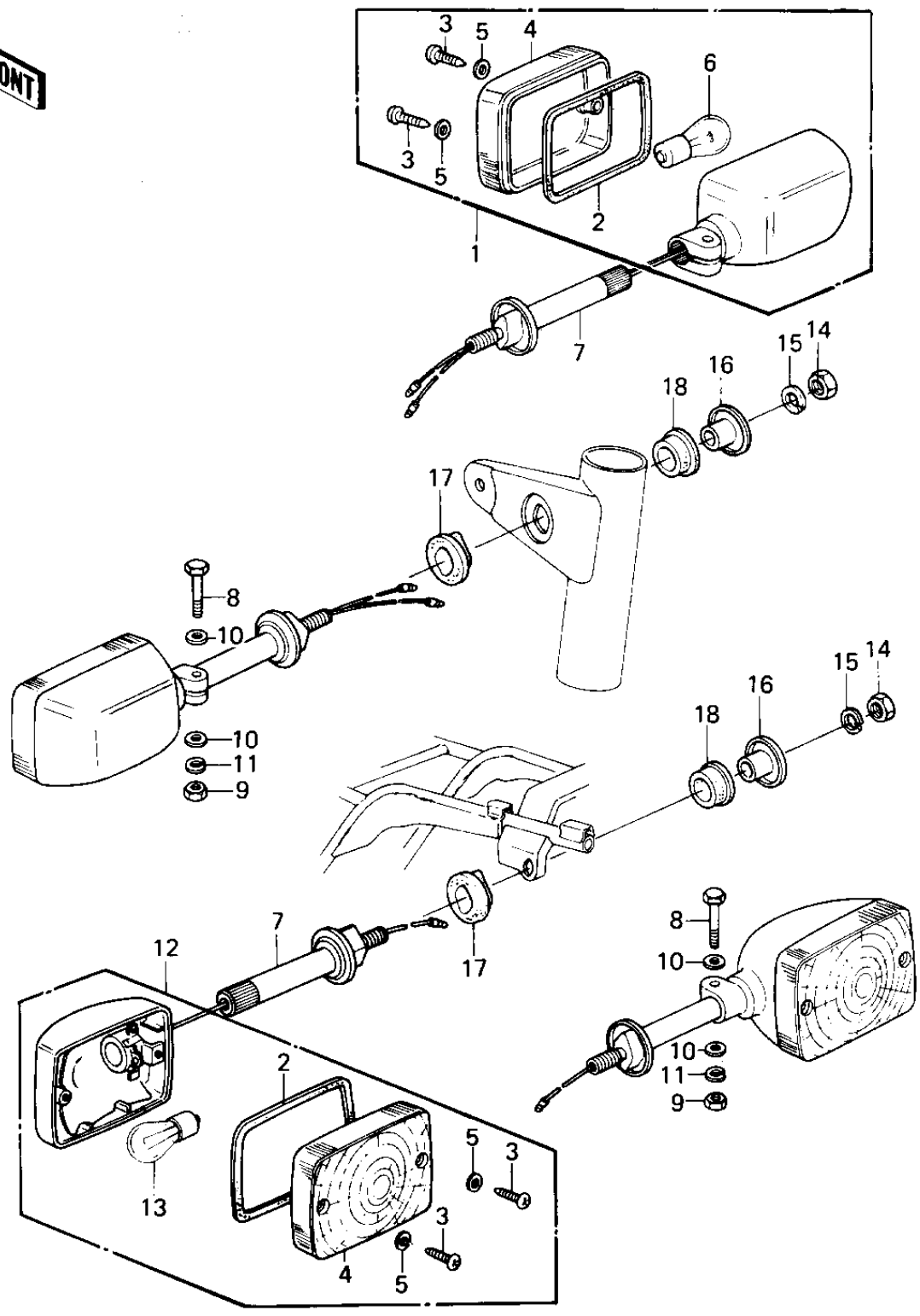


## 1980 KZ1300-A2 PARTS DIAGRAM

TURN SIGNALS



## 1980 KZ1300-A2 PARTS LIST

### TURN SIGNALS

| ITEM NAME                        | PART NUMBER | QUANTITY |
|----------------------------------|-------------|----------|
| LAMP ASSY,TURN SIGNAL (Ref # 1)  | 23040-1021  | 1        |
| GASKET,TURN SIGNAL (Ref # 2)     | 11009-1102  | 1        |
| SCREW,PAN HEAD,4X16 (Ref # 3)    | 220E0416A   | 1        |
| LENS SIGNAL LAMP FR (Ref # 4)    | 23048-1020  | 1        |
| WASHER-PLAIN,4MM (Ref # 5)       | 23058-002   | 1        |
| BULB,12V 23/8W (Ref # 6)         | 92069-060   | 1        |
| BRACKET,TURN SIGNAL (Ref # 7)    | 23051-1023  | 1        |
| BOLT-UPSET (Ref # 8)             | 112G0630    | 1        |
| NUT 6MM (Ref # 9)                | 311B0600    | 1        |
| WASHER PLAIN 6MM (Ref # 10)      | 411B0600    | 1        |
| WASHER SPRING 6MM (Ref # 11)     | 461F0600    | 1        |
| LAMP,ASSY,TURN SIGNAL (Ref # 12) | 23040-1022  | 1        |
| BULB 12V 32CP (Ref # 13)         | 92069-055   | 1        |
| WASHER SPRING 10MM (Ref # 15)    | 461F1000    | 1        |
| COLLAR (Ref # 16)                | 92027-147   | 1        |
| DAMPER RUBBER (Ref # 17)         | 92075-128   | 1        |
| DAMPER RUBBER,SIG LM (Ref # 18)  | 92075-158   | 1        |