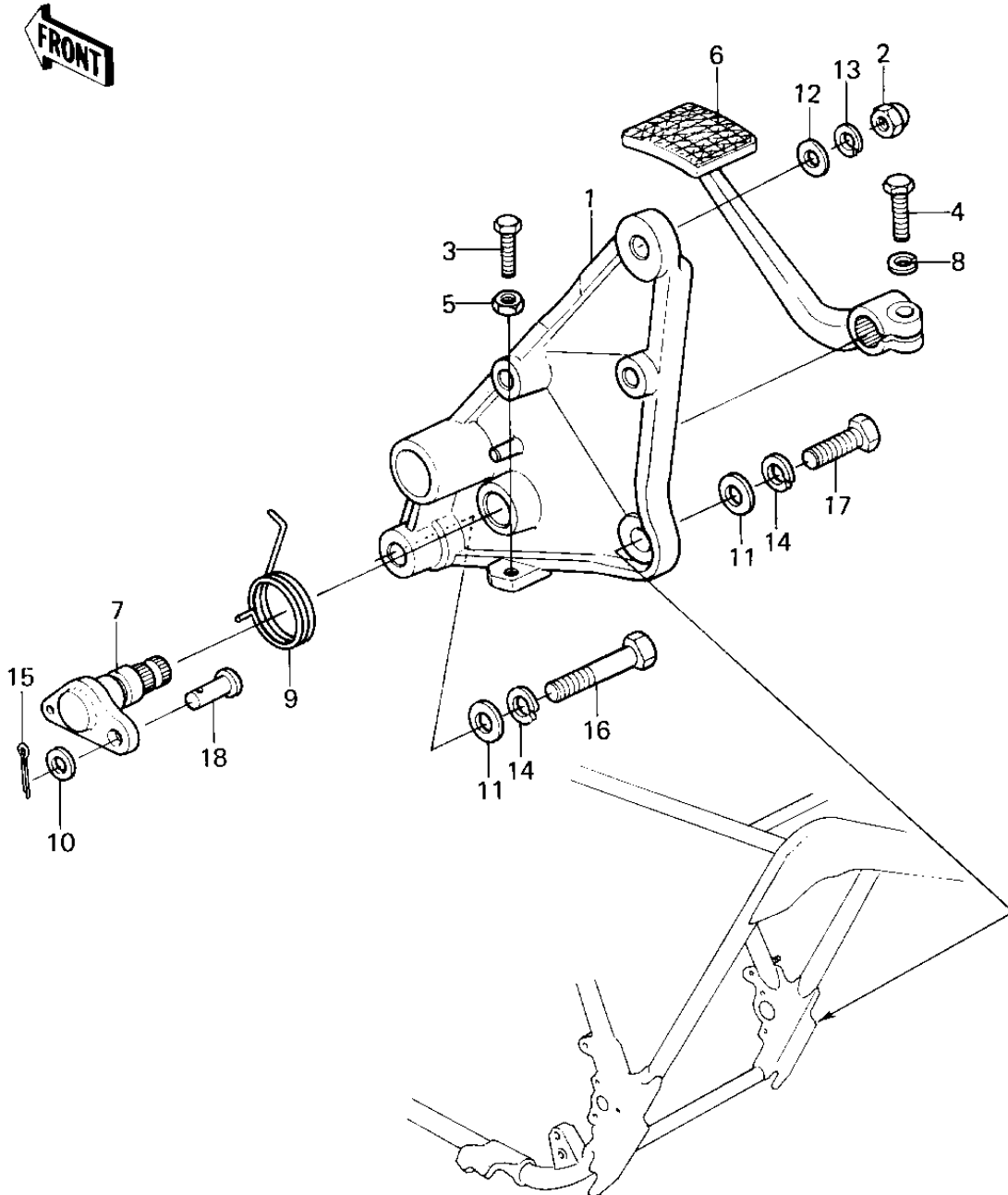


1980 KZ1300-A2 PARTS DIAGRAM

BRAKE PEDAL



1980 KZ1300-A2 PARTS LIST

BRAKE PEDAL

ITEM NAME	PART NUMBER	QUANTITY
BRACKET,BRAKE PEDAL (Ref # 1)	11034-1263	1
NUT,CAP,8M/M (Ref # 2)	323N0800	1
BOLT 6X22 (Ref # 3)	112B0622	1
BOLT-SMALL-UPSET 8X25 (Ref # 4)	115G0825	1
NUT 6MM (Ref # 5)	311B0600	1
PEDAL,BRAKE (Ref # 6)	43001-1024	1
SHAFT,BRAKE (Ref # 7)	43004-1006	1
WASHER SPRING 8MM (Ref # 8)	461F0800	2
SPRING,BRAKE PEDAL RT (Ref # 9)	92081-1088	1
WASHER PLAIN 6MM (Ref # 10)	410B0600	1
WASHER PLAIN 10MM (Ref # 11)	410B1000	1
WASHER PLAIN 8MM (Ref # 12)	411B0800	1
WASHER SPRING 10MM (Ref # 14)	461F1000	1
PIN COTTER 2.0X20 (Ref # 15)	550D2020	1
BOLT-HEX HEAD,10X46 (Ref # 16)	92007-029	1
BOLT,HEX HEAD,10X25 (Ref # 17)	92007-045	1
PIN RR BRAKE CABLE (Ref # 18)	92043-107	1