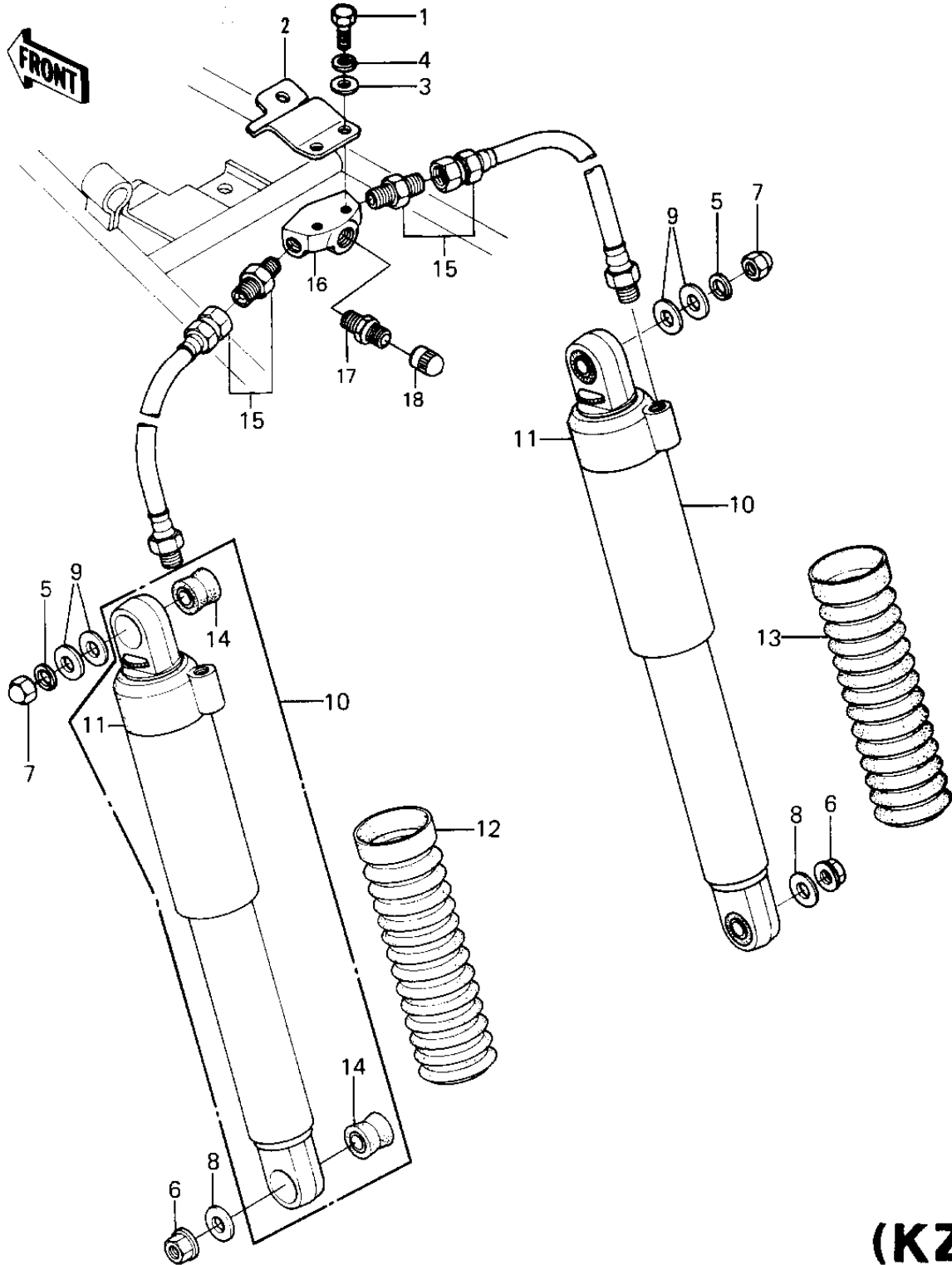


## 1980 KZ1300-A2 PARTS DIAGRAM

SHOCK ABSORBERS (KZ1300-A3)



(KZ

## 1980 KZ1300-A2 PARTS LIST

SHOCK ABSORBERS (KZ1300-A3)

| ITEM NAME                        | PART NUMBER | QUANTITY |
|----------------------------------|-------------|----------|
| BOLT-UPSET 6X14 (Ref # 1)        | 112B0614    | 1        |
| BRACKET-SHCKBSRBR,RR (Ref # 2)   | 32037-1138  | 1        |
| WASHER PLAIN 6MM (Ref # 3)       | 410B0600    | 1        |
| WASHER SPRING 6MM (Ref # 4)      | 461F0600    | 1        |
| WASHER SPRING 12MM (Ref # 5)     | 461F1200    | 1        |
| NUT,10MM (Ref # 6)               | 92015-1415  | 1        |
| NUT 12MM (Ref # 7)               | 92020-014   | 1        |
| WASHER,10.5X30X2.3 (Ref # 8)     | 92022-1193  | 1        |
| WASHER,12.4X28X2.3 (Ref # 9)     | 92022-1239  | 1        |
| SHOCK ABSORBER,REAR (Ref # 10)   | 92075-1294  | 1        |
| COVER,DAMPER,RR (Ref # 11)       | 14025-1298  | 1        |
| BOOT,DAMPER (Ref # 12)           | 49006-1155  | 2        |
| BUSHING,SHOCK ABSORBE (Ref # 14) | 92075-1141  | 1        |
| TUBE (Ref # 15)                  | 92059-1168  | 1        |
| HOLDER-VALVE,AIR (Ref # 16)      | 12023-1012  | 1        |
| VALVE AIR (Ref # 17)             | 16126-1052  | 1        |
| CAP,AIR VALVE (Ref # 18)         | 11012-1241  | 1        |