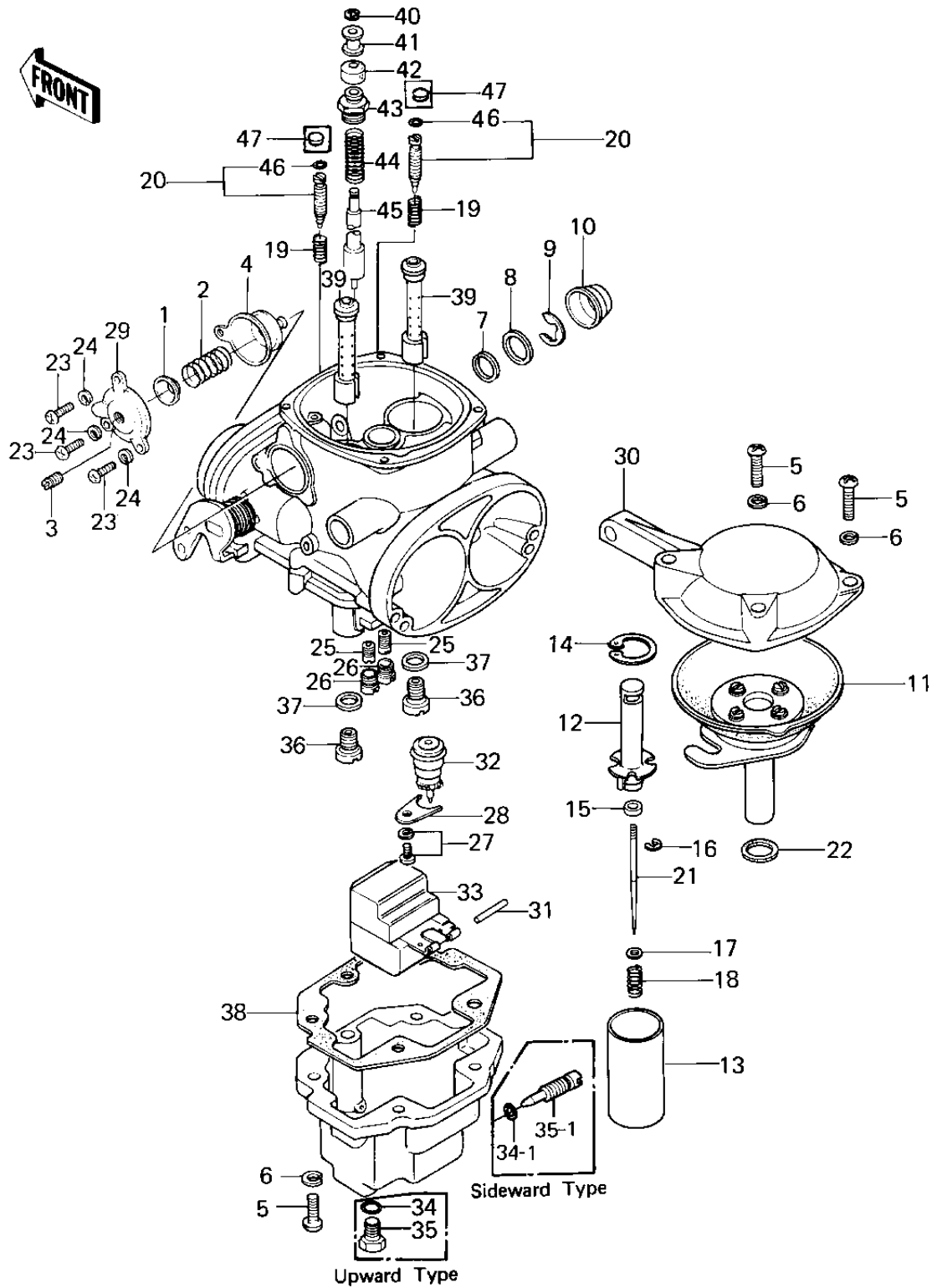


1980 KZ1300-A2 PARTS DIAGRAM

CARBURETOR PARTS



1980 KZ1300-A2 PARTS LIST

CARBURETOR PARTS

ITEM NAME	PART NUMBER	QUANTITY
RETAINER,DPHRGM SPRNG (Ref # 1)	43027-1004	1
SPRING,RICHER DPHRGM (Ref # 2)	92081-1156	1
SCREW,SLOTTED (Ref # 3)	45007-1001	1
DIAPHRAGM,RICHER (Ref # 4)	43028-1017	2
SCREW, PAN HEAD, 5 X 16 (Ref # 5)	220B0516A	1
WASHER SPRING 5MM (Ref # 6)	461F0500	1
OIL SEAL (Ref # 7)	92093-1027	1
WASHER,PLAIN (Ref # 8)	92022-1150	1
CIRCLIP (Ref # 9)	92037-1140	1
CAP,STEEL (Ref # 10)	39031-1002	1
DIAPHRAGM ASSY,VACUUM (Ref # 11)	43028-1014	1
HOLDER,PISTON VALVE (Ref # 12)	13091-1056	1
VALVE,PISTON (Ref # 13)	16025-1029	1
CIRCLIP (Ref # 14)	92033-1009	1
RING,JET NEEDLE (Ref # 15)	92027-1115	1
CIRCLIP (Ref # 16)	16008-014	1
WASHER,JET NEEDLE (Ref # 17)	92022-1123	1
SPRING,JET NEEDLE (Ref # 18)	92081-1126	1
SPRING,PILOT SCREW (Ref # 19)	16022-016	1
SCREW,PILOT ADJUSTING (Ref # 20)	16014-1016	1
JET NEEDLE,5P3 (Canada) (Ref # 21)	16009-1038	1
WASHER,PLAIN,DURACON (Ref # 22)	92022-1155	1
SCREW PAN HEAD 4X10 (Ref # 23)	220B0410	1
WASHER SPRING 4MM (Ref # 24)	461F0400	1
PILOT JET,#42.5 (Ref # 25)	92064-1024	1
SCREW,HOLE PLUG (Ref # 26)	92066-1044	1
SCREW-CLAMP (Ref # 27)	16033-014	1
PLATE, LOCK (Ref # 28)	13169-1190	1
COVER,COASTING RICHER (Ref # 29)	14025-1158	1

1980 KZ1300-A2 PARTS LIST

CARBURETOR PARTS

ITEM NAME	PART NUMBER	QUANTITY
TOP,MXNG CHAMBER,L.H. (Ref # 30)	14025-1159	1
TOP,MXNG CHAMBER,CENT (Ref # 30)	14025-1160	1
TOP,MXNG CHAMBER,R.H. (Ref # 30)	14025-1161	1
FLOAT PIN (Ref # 31)	16032-003	1
FLOAT VALVE ASSY (Ref # 32)	16030-1005	1
FLOAT (Ref # 33)	16031-1006	1
"O" RING,MAIN JET COV (Ref # 34)	16038-016	1
"O" RING (Ref # 34-1)	92055-044	1
BOLT,HEX HEAD,DRAIN (Ref # 35)	92066-1045	1
SCREW,DRAIN (Ref # 35-1)	92066-1064	1
MAIN JET,#110R (Ref # 36)	92063-1038	1
MAIN JET,#A105R (Ref # 36)	92063-1042	1
JET-MAIN NO 107.5R (Ref # 36)	92063-073	1
JET-MAIN NO 115R (Ref # 36)	92063-076	1
WASHER MAIN JET (Ref # 37)	16034-001	1
GASKET,FLOAT CHAMBER (Ref # 38)	11009-1148	1
NEEDLE JET,Y-8 (Ref # 39)	16017-1038	1
CIRCLIP (Ref # 40)	16076-003	1
COLLAR (Ref # 41)	16073-014	1
RUBBER CAP,STARTER PL (Ref # 42)	16036-017	1
CAP,STARTER PLUNGER (Ref # 43)	16012-1005	1
SPRING,STARTER PLUNGR (Ref # 44)	92081-1163	1
PLUNGER,STARTER (Ref # 45)	16016-1005	1
"O" RING (Ref # 46)	16038-022	1