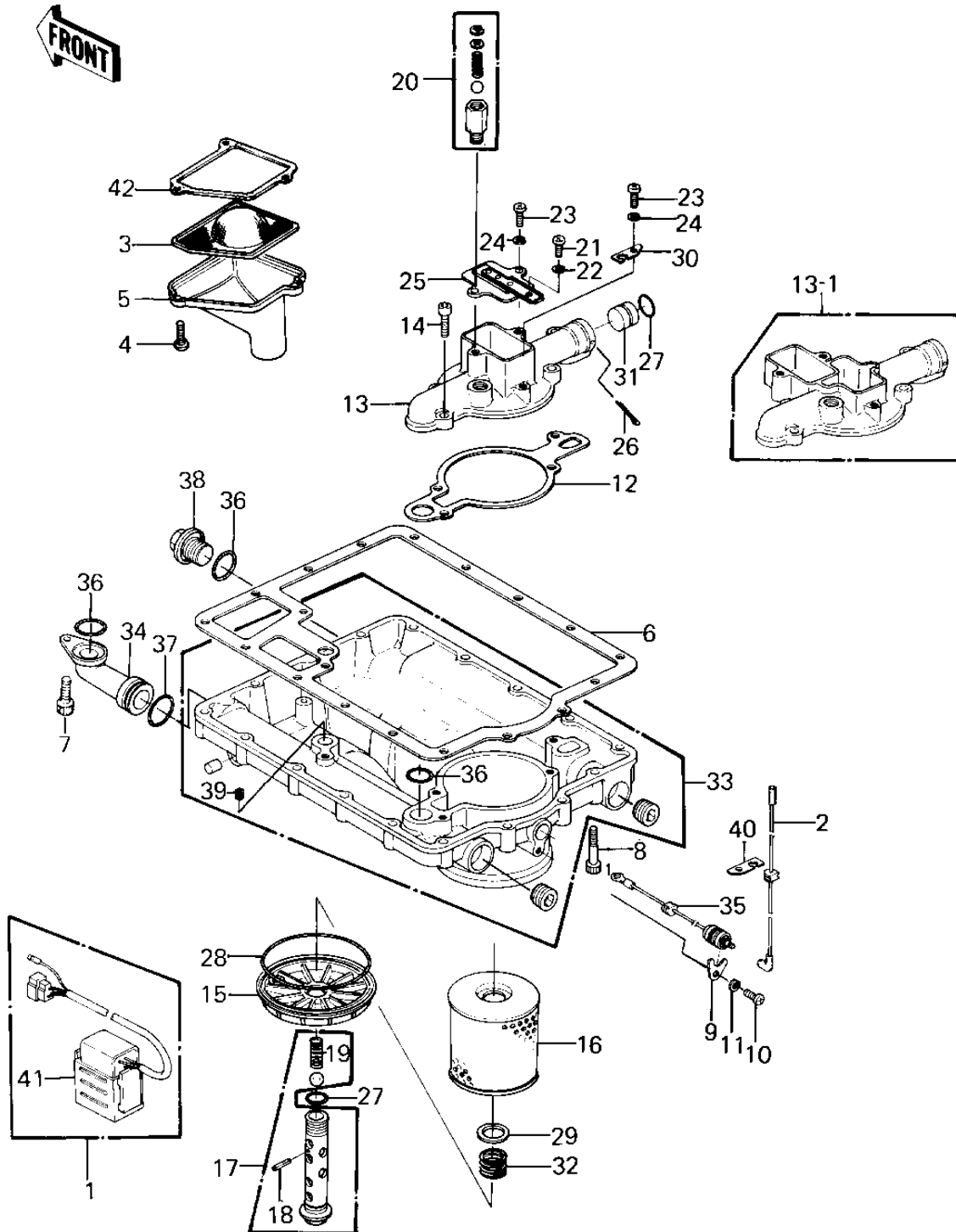


1980 KZ1300-A2 PARTS DIAGRAM

OIL PAN/OIL FILTER (E/NO. 016038)



(E/Nc)

1980 KZ1300-A2 PARTS LIST

OIL PAN/OIL FILTER (E/NO. 016038)

ITEM NAME	PART NUMBER	QUANTITY
WARNER,OIL LEVEL (Ref # 1)	25025-1003	2
WIRE,LEAD (Ref # 2)	26011-1085	1
FILTER,OIL (Ref # 3)	14043-1008	1
SCREW PAN HEAD 6X20 (Ref # 4)	220B0620	1
CASE,OIL FILTER (Ref # 5)	32099-1017	1
GASKET,OIL PAN (Ref # 6)	11009-1093	1
BOLT,6X20 (Ref # 7)	120P0620	1
BOLT,SOCKET,6X35 (Ref # 8)	120P0635	2
HOLDER (Ref # 9)	13091-1080	1
SCREW PAN HEAD 6X14 (Ref # 10)	220B0614	2
WASHER SPRING 6MM (Ref # 11)	461F0600	2
GASKET,OIL FILTER CAP (Ref # 12)	11009-1198	1
CAP ASSY (Ref # 13)	14075-5011	2
CAP,OIL FILTER (Ref # 13-1)	11012-1148	1
COVER,OIL FILTER (Ref # 15)	14025-1170	1
ELEMENT,OIL FILTER (Ref # 16)	16099-002	1
BOLT ASSY,OIL FILTER (Ref # 17)	16126-1006	1
SPRING PIN (Ref # 18)	92043-111	1
SPRING,PISTON (Ref # 19)	92081-133	1
RELEAF VALVE ASSY (Ref # 20)	16130-1001	1
SCREW PAN HEAD 4X6 (Ref # 21)	220B0406	1
WASHER SPRING 4MM (Ref # 22)	461F0400	1
SWITCH,OIL LEVEL (Ref # 25)	27010-1038	1
PIN,COTTER,2.0X40 (Ref # 26)	550D2040	1
"O" RING,16MM (Ref # 27)	670B2016	1
"O" RING,95MM (Ref # 28)	671B2595	1
WASHER,20.5X30X1.0 (Ref # 29)	92022-1012	1
CLAMP,LEAD WIRE (Ref # 30)	92037-1211	2
PLUG,OIL GALLERY,20MM (Ref # 31)	92066-1023	1

1980 KZ1300-A2 PARTS LIST

OIL PAN/OIL FILTER (E/NO. 016038)

ITEM NAME	PART NUMBER	QUANTITY
SPRING,OIL FILTER (Ref # 32)	92081-1018	1
PAN,OIL (Ref # 33)	49034-5005	1
ELBOW,OIL PASSAGE (Ref # 34)	52014-1002	1
CONNECTOR,OIL SW CORD (Ref # 35)	59221-1002	1
"O" RING,22MM (Ref # 36)	670B2022	1
"O" RING,25MM (Ref # 37)	671B2525	1
PLUG,OIL DRAIN (Ref # 38)	92001-1183	1
NOZZLE,OIL BIAS (Ref # 39)	92062-011	1
BRACKET,RUBBER,WARNER (Ref # 41)	21064-003	1
GASKET,OIL FILTER (Ref # 42)	11009-1193	1