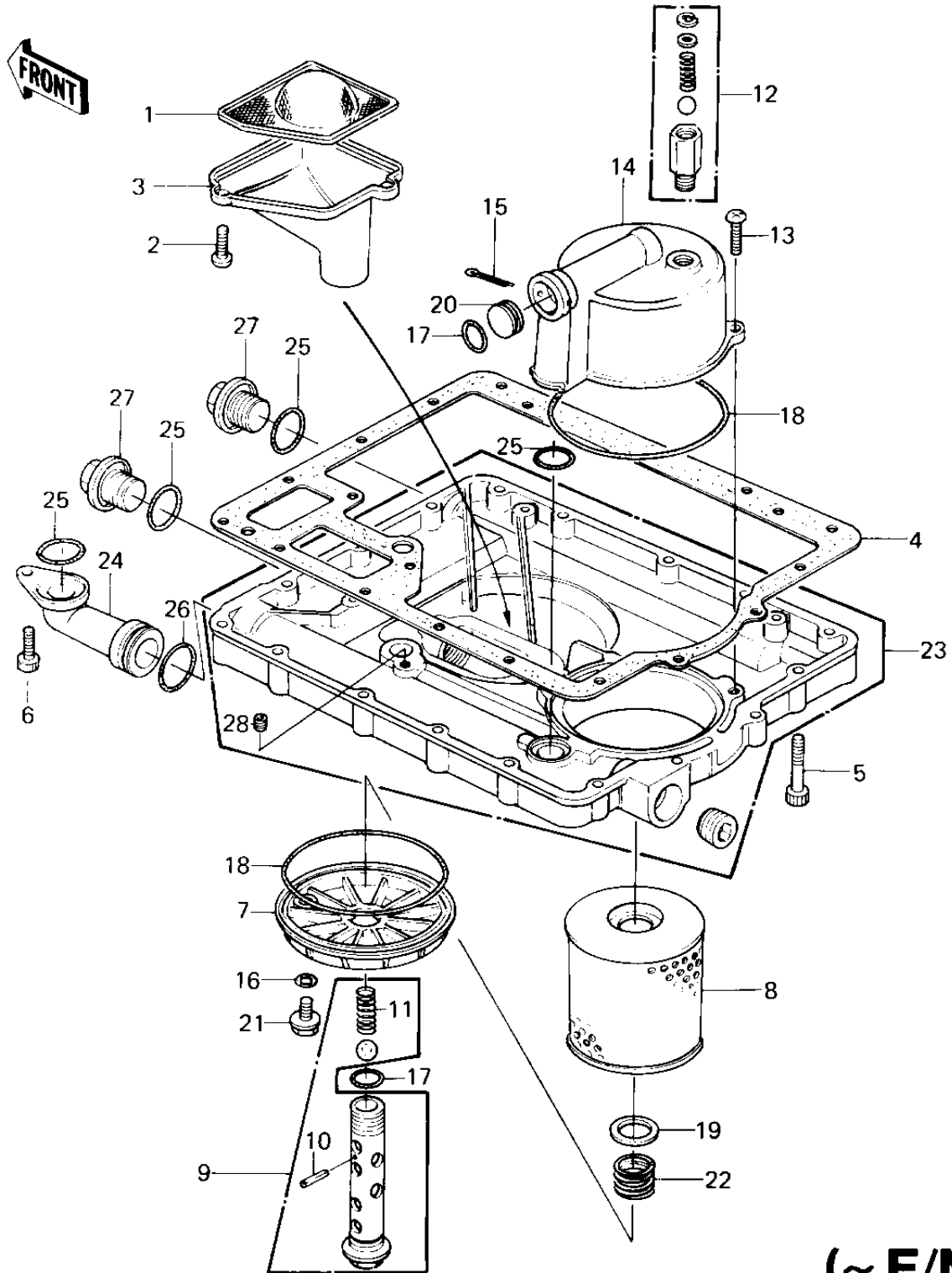


1980 KZ1300-A2 PARTS DIAGRAM

OIL PAN/OIL FILTER (~ E/NO. 010637)



(~ E/N

1980 KZ1300-A2 PARTS LIST

OIL PAN/OIL FILTER (~E/NO. 010637)

ITEM NAME	PART NUMBER	QUANTITY
FILTER,OIL (Ref # 1)	14043-1007	1
SCREW PAN HEAD 6X20 (Ref # 2)	220B0620	2
CASE,OIL FILTER (Ref # 3)	32099-1006	1
GASKET,OIL PAN (Ref # 4)	11009-1093	1
BOLT,SOCKET,6X35 (Ref # 5)	120P0635	1
BOLT,6X20 (Ref # 6)	120P0620	1
COVER,OIL FILTER (Ref # 7)	14025-1170	2
ELEMENT,OIL FILTER (Ref # 8)	16099-002	1
BOLT ASSY,OIL FILTER (Ref # 9)	16126-1006	1
SPRING PIN (Ref # 10)	92043-111	1
SPRING,PISTON (Ref # 11)	92081-133	1
RELIEF VALVE ASSY (Ref # 12)	16130-1001	1
CASE,OIL FILTER (Ref # 14)	32099-1008	1
PIN,COTTER,2.0X40 (Ref # 15)	550D2040	1
"O" RING,8MM (Ref # 16)	670B1508	1
"O" RING,16MM (Ref # 17)	670B2016	1
"O" RING,95MM (Ref # 18)	671B2595	1
WASHER,20.5X30X1.0 (Ref # 19)	92022-1012	1
PLUG,DRAIN,8X10 (Ref # 21)	92066-1026	1
SPRING,OIL FILTER (Ref # 22)	92081-1018	1
PAN-OIL (Ref # 23)	49034-5008	2
ELBOW,OIL PASSAGE (Ref # 24)	52014-1002	1
"O" RING,22MM (Ref # 25)	670B2022	1
"O" RING,25MM (Ref # 26)	671B2525	1
PLUG,OIL DRAIN (Ref # 27)	92001-1183	1
NOZZLE (Ref # 28)	92062-015	1