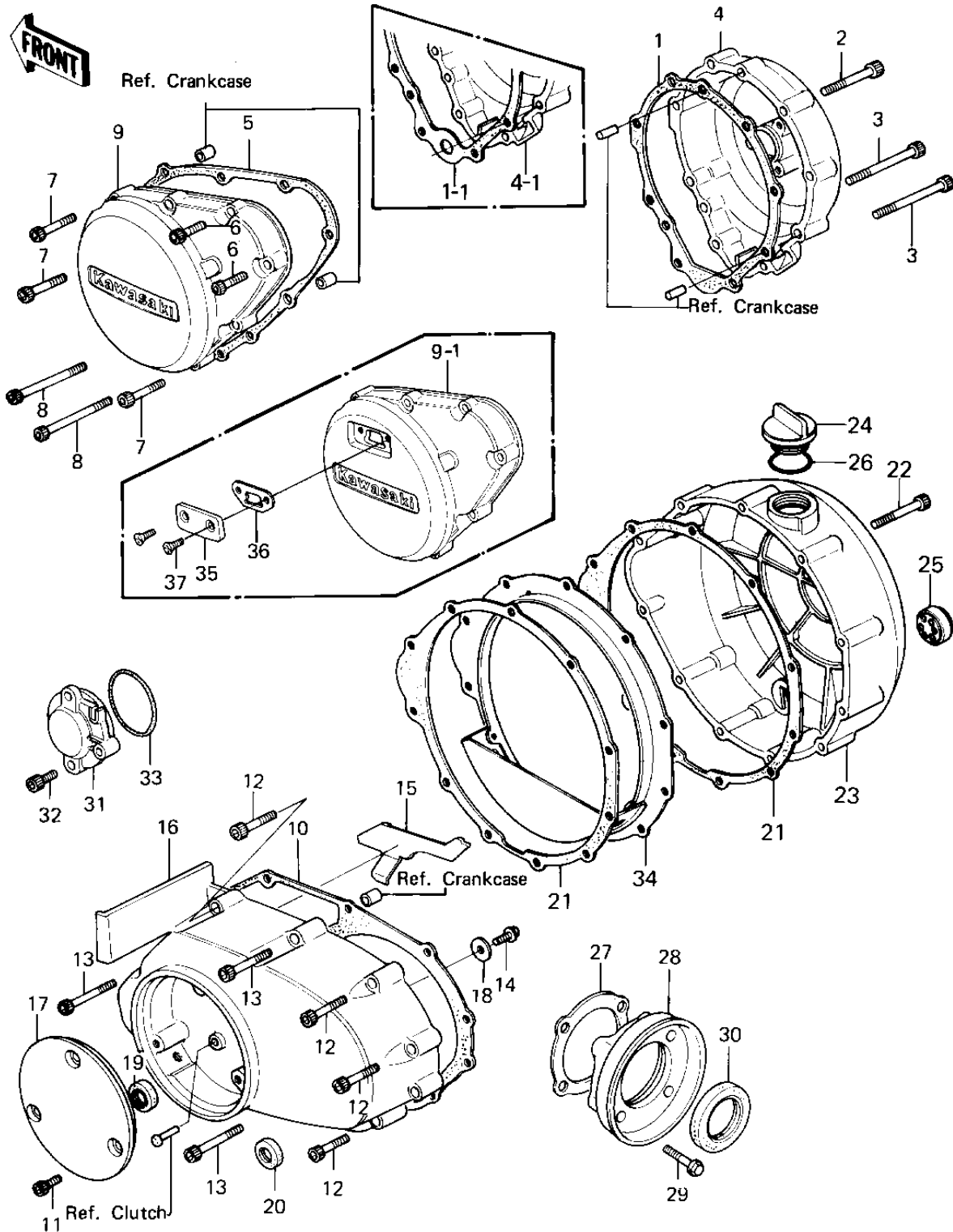


1980 KZ1300-A2 PARTS DIAGRAM

ENGINE COVERS



1980 KZ1300-A2 PARTS LIST

ENGINE COVERS

ITEM NAME	PART NUMBER	QUANTITY
GASKET,GENERATOR COV (Ref # 1)	11009-1189	2
BOLT,SOCKET,6X35 (Ref # 2)	120P0635	3
BOLT,SOCKET,6X50 (Ref # 3)	120P0650	2
COVER,GENERATOR (Ref # 4)	14031-1039	2
COVER,GENERATOR (Ref # 4-1)	14041-1006	2
GASKET,L.H,ENGINE COV (Ref # 5)	11009-1090	1
BOLT,6X25 (Ref # 6)	120P0625	1
COVER,L.H ENGINE (Ref # 9)	14025-1501	2
COVER,ENGINE,LH (Ref # 9-1)	14025-1271	1
GASKET,MISSION COVER (Ref # 10)	11009-1091	1
BOLT,SOCKET,6X12 (Ref # 11)	120P0612	1
BOLT,SOCKET,6X45 (Ref # 13)	120P0645	2
BOLT,FLANGED,6X14 (Ref # 14)	130G0614	1
PLATE,BAFFLE,BREATHER (Ref # 15)	13169-1131	1
COVER,MISSION (Ref # 16)	14025-1063	1
COVER,MISSION (Ref # 16)	14025-1313	1
COVER,RELEASE (Ref # 17)	14025-1314	3
WASHER SHOCK DAMPER (Ref # 18)	42046-008	1
OIL SEAL,TC14244.8 (Ref # 19)	92049-1037	1
OIL SEAL,TB13225.5 (Ref # 20)	92051-005	1
GASKET,CLUTCH COVER (Ref # 21)	11009-1092	2
COVER,CLUTCH (Ref # 23)	14032-1012	1
COVER,CLUTCH (Ref # 23)	14032-1045	1
COVER,CLUTCH (Ref # 23)	14032-1053	1
PLUG,OIL FILLER (Ref # 24)	16115-013	1
GAUGE,OIL LEVEL (Ref # 25)	52015-004	1
GAUGE,OIL LEVEL (Ref # 25)	52005-1017	1
"O" RING,31MM (Ref # 26)	92055-049	1
GASKET,BEARING CAP (Ref # 27)	11009-1159	1

1980 KZ1300-A2 PARTS LIST

ENGINE COVERS

ITEM NAME	PART NUMBER	QUANTITY
CAP,BEARING,OUT SHAFT (Ref # 28)	14022-1005	1
BOLT (Ref # 29)	92003-202	1
OIL SEAL,TC35527 (Ref # 30)	92049-1038	1
CAP,TIMING SPROCKET (Ref # 31)	11012-1060	1
BOLT,6X14 (Ref # 32)	120P0614	2
"O" RING,45M/M (Ref # 33)	670B3045	1
BAFFLE (Ref # 34)	18020-1020	1
COVER,INSPECTION (Ref # 35)	14025-1272	1
GASKET,INSPCTN COVER (Ref # 36)	11009-1219	1
SCREW OVL CNTSNK 5X10 (Ref # 37)	222E0510	1