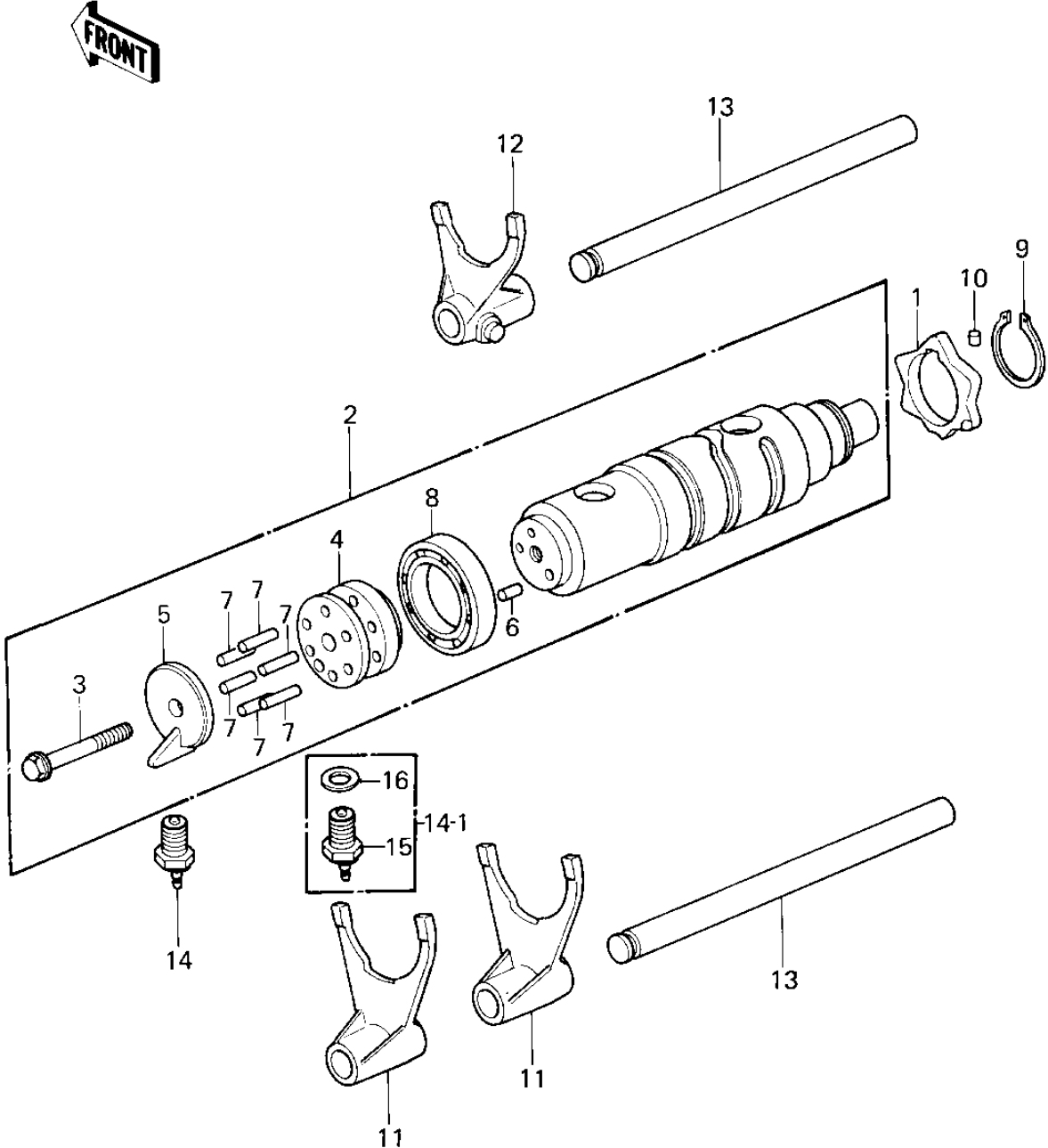


1980 KZ1300-A2 PARTS DIAGRAM

GEAR CHANGE DRUM & FORKS



1980 KZ1300-A2 PARTS LIST

GEAR CHANGE DRUM & FORKS

ITEM NAME	PART NUMBER	QUANTITY
CAM-CHANGE DRUM (Ref # 1)	13145-1058	1
DRUM ASSY,CHANGE (Ref # 2)	13239-1020	1
DRUM ASSY,GEAR CHANGE (Ref # 2)	13239-1050	1
BOLT,FLANGED,6X40 (Ref # 2)	130G0640	1
HOLDER,BEARING (Ref # 4)	13091-1032	1
HOLDER,DRUM PIN (Ref # 5)	13091-1033	1
PIN DOWEL 4X8 (Ref # 6)	610A0408	1
PIN GEAR CHANGE DRUM (Ref # 7)	92042-014	1
BEARING,BALL,#6906 (Ref # 8)	92045-1016	1
CIRCLIP,30MM (Ref # 9)	480J3000	1
PIN-DOWEL,4X6 (Ref # 10)	610A0406	1
FORK,SHIFT,LOW,2ND,3D (Ref # 11)	13140-1019	1
FORK-SHIFT,LOW,2,3RD (Ref # 11)	13140-1050	1
FORK,SHIFT,4TH & TOP (Ref # 12)	13140-1020	1
FORK-SHIFT,4TH&TOP (Ref # 12)	13140-1051	1
ROD,SHIFT,12X173 (Ref # 13)	49047-1008	1
SWITCH,NEUTRAL (Ref # 14)	13151-5002	2
SWITCH,NEUTRAL (Ref # 15)	13151-1007	1
GASKET CHECK VALVE (Ref # 16)	92065-058	1