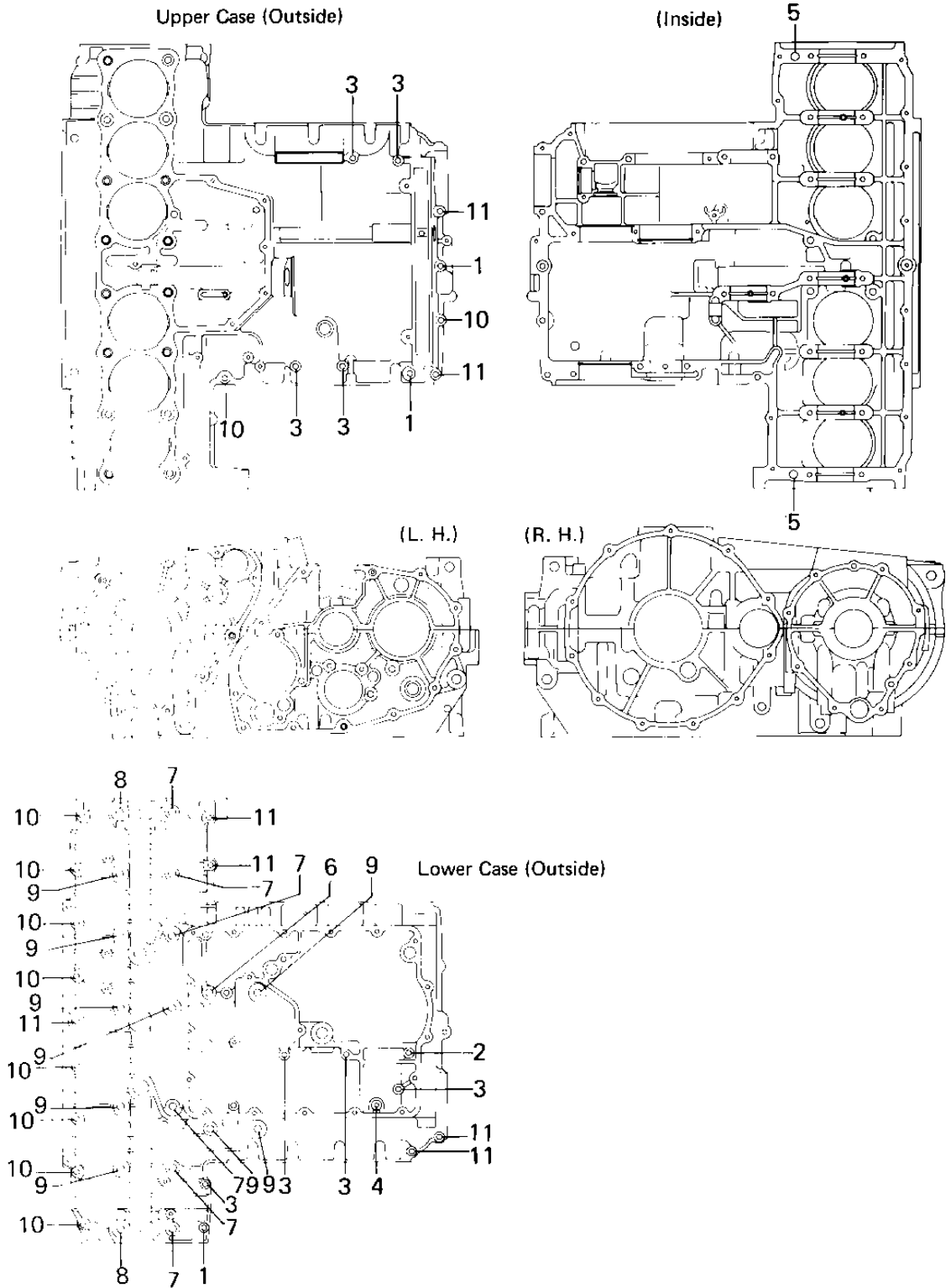


## 1980 KZ1300-A2 PARTS DIAGRAM

CRANKCASE BOLT & STUD PATTERN



## 1980 KZ1300-A2 PARTS LIST

CRANKCASE BOLT & STUD PATTERN

ITEM NAME	PART NUMBER	QUANTITY
BOLT,FLANGED,6X65 (Ref # 1)	130G0665	1
.BOLT,FLANGED,6X85 (Ref # 2)	130G0685	2
.NOZZLE (Ref # 4)	92062-015	1
.PIN,DOWEL,6.5X10X12 (Ref # 5)	552B1012	1
BOLT,TENSION,8X130 (Ref # 6)	92001-1121	1
BOLT,TENSION,8X105 (Ref # 7)	92001-1185	2
.BOLT-FLANGED,8X95 (Ref # 8)	130P0895	2
BOLT,HEX HEAD,6X38 (Ref # 10)	92003-116	1
BOLT-FLANGED,6X50 (Ref # 11)	130G0650	1